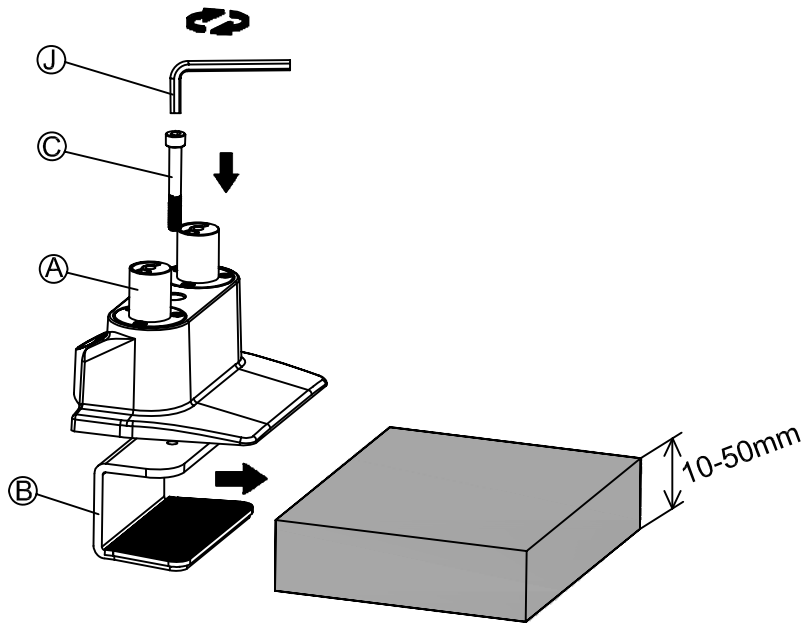


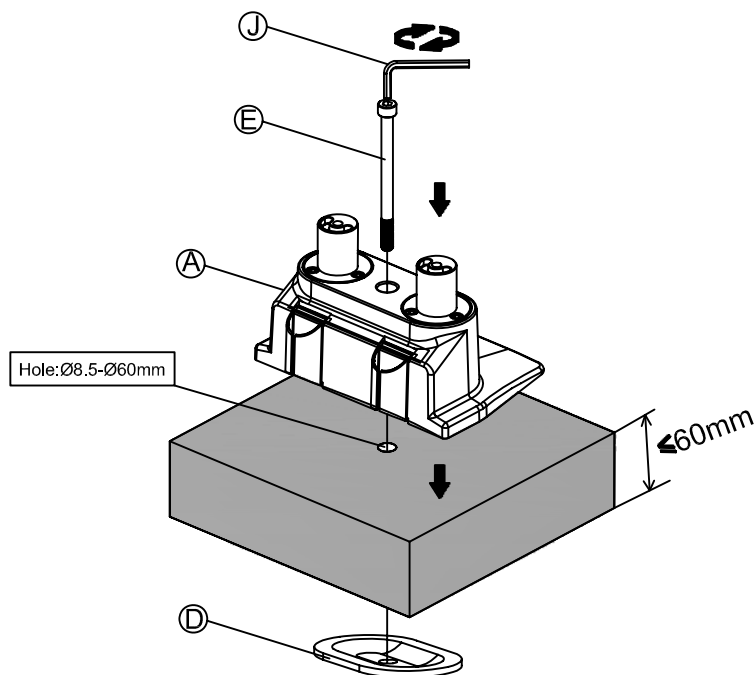
Installation Manual

Model No.: FSA-IRI-S203

Desk Clamp

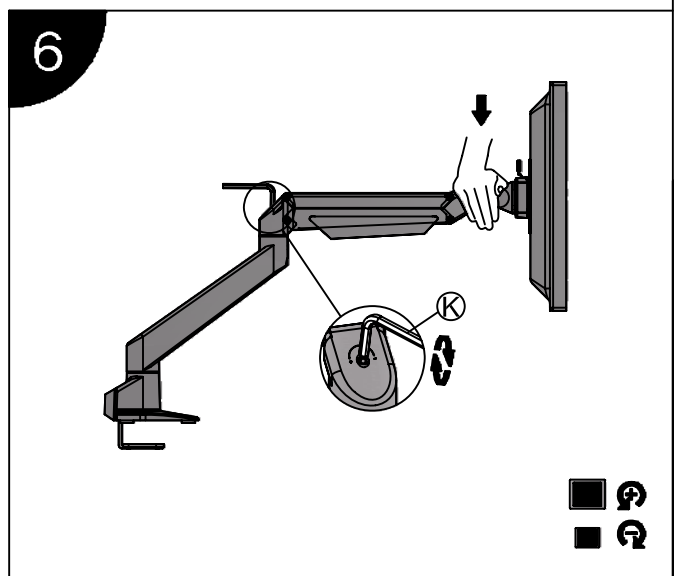
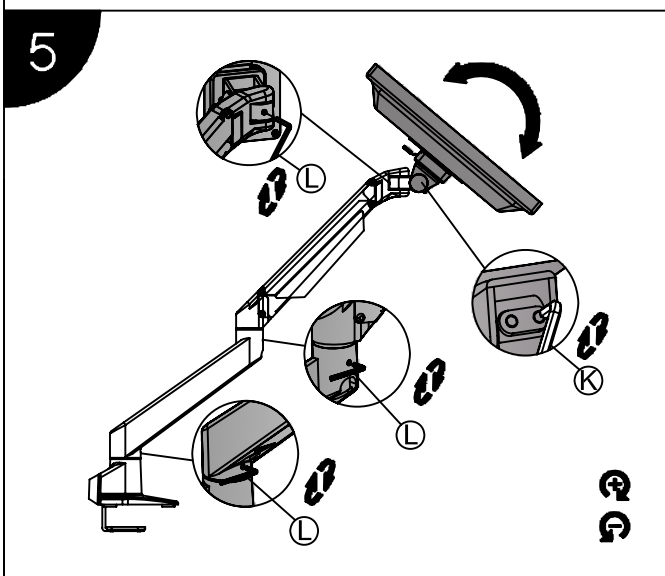
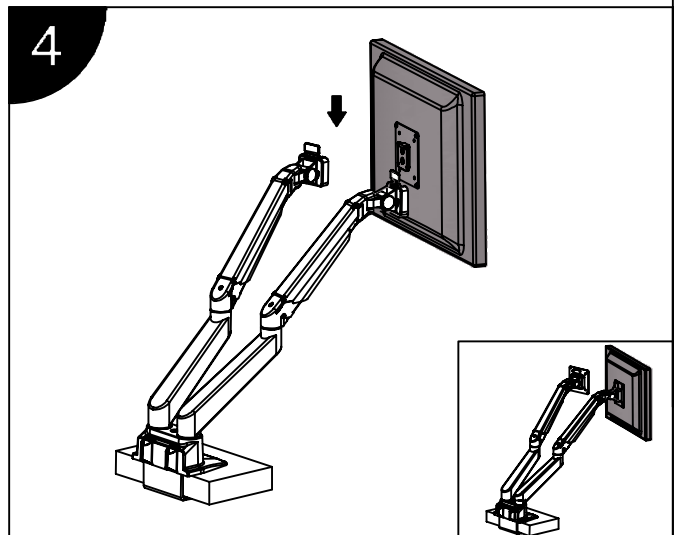
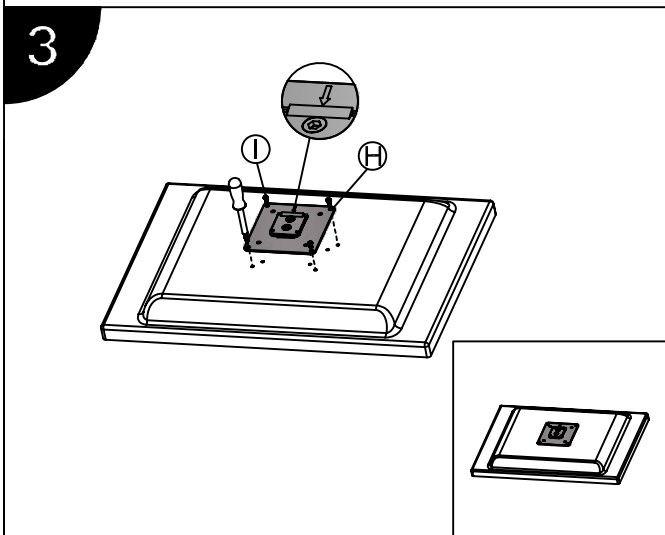
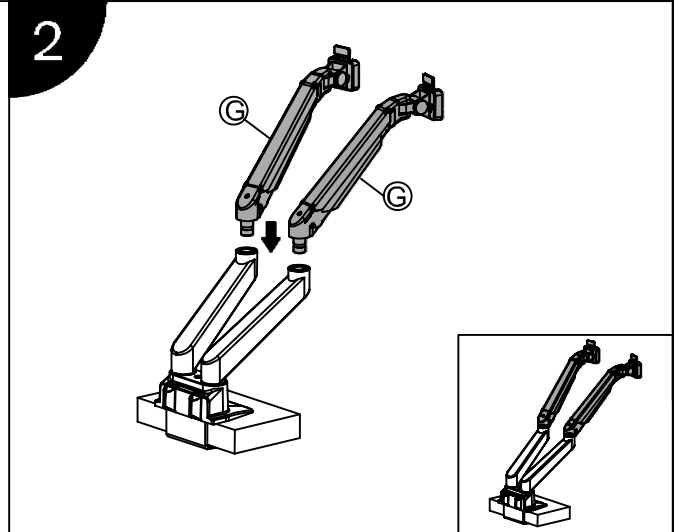
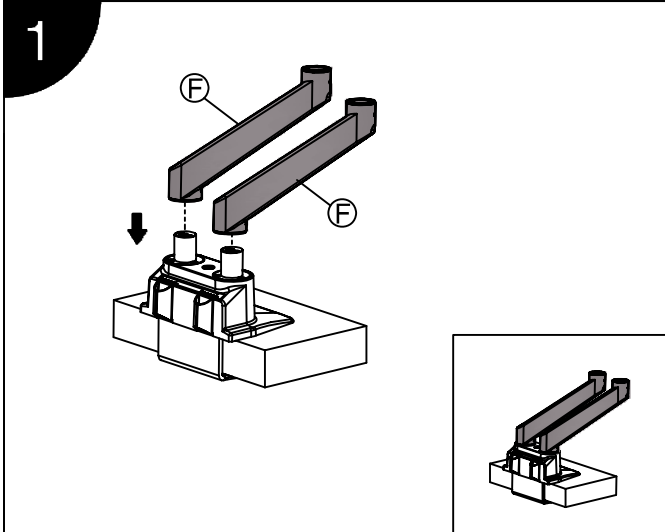


Thru-Desk



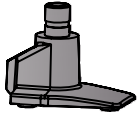




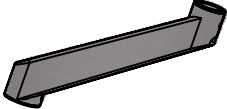
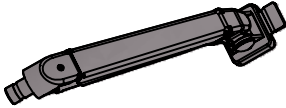
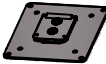




Installation Manual

Model No.: FSA-IRI-S203



Installation Manual

Model No.:FSA-IRI-S203

Parts list			
No.	ITEM	SPECS	QUANTITY
A			1
B			1
C		M8*90	1
D			1
E		M8*160	1
F			2
G			2
H			2
I		M4*12	8
J		M6	1
K		M4	1
L		M3	1