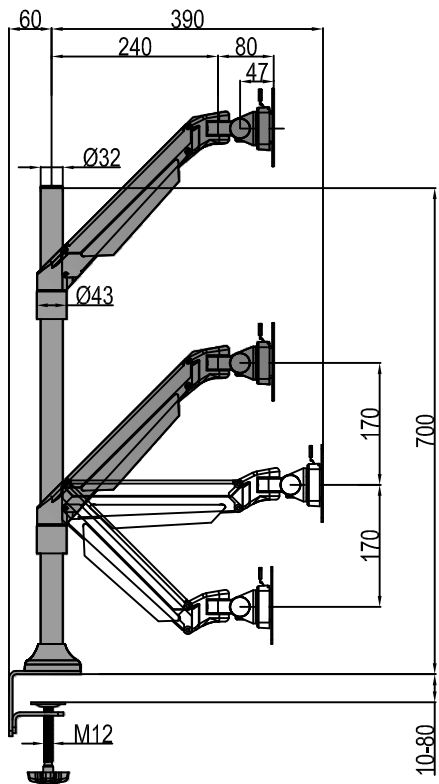


Product name: Multi-screen Gas Arm

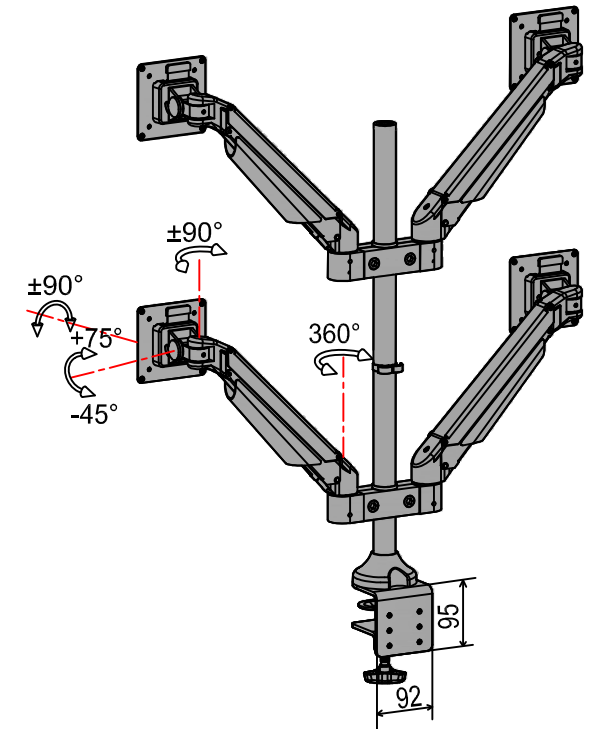
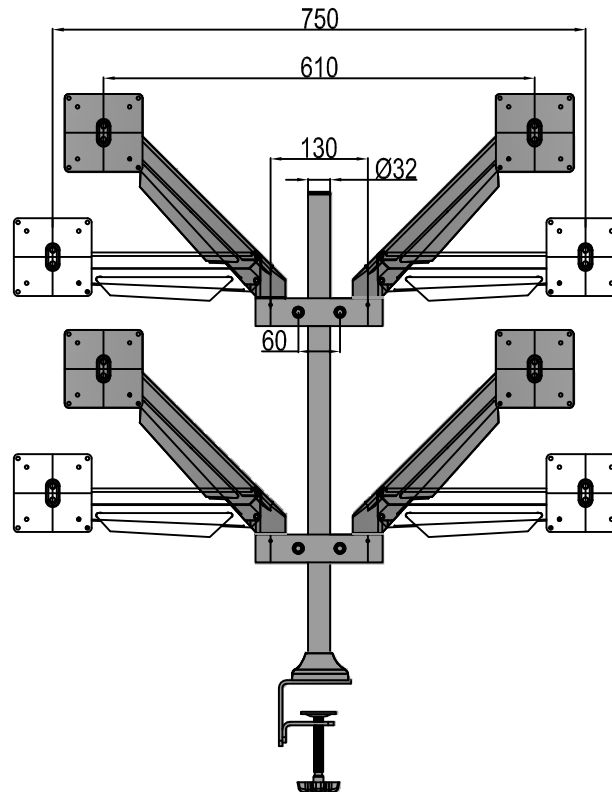
Model No.: S400



Product Features	Technical parameter											
<ul style="list-style-type: none"> • Easy to adjust the monitor angle and position to satisfy the different view. • Use the gas cylinder adjust design, make free up&down movement for the monitors. • Save the space of desktop in suspending 4 monitors in one arm. 											Desk thickness application (mm)	
	LCD Size	Wt.Capacity(kg)	Lift(mm)	Tilt	Swivel	Pivot	VESA	Packing size(mm)	NW (kg)	GW(kg)	Thru desk	desk clamp
	≤24"	2-10 9-21	340	+75° ~ -45°	±90°	±90°	75*75 100*100	965*255*150	10.3	11.5	30	80



Product Dimensions



Multifunctional adjustment figure