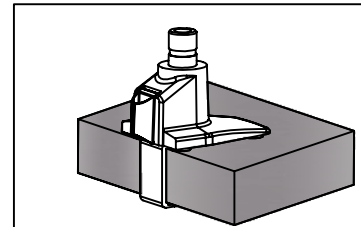
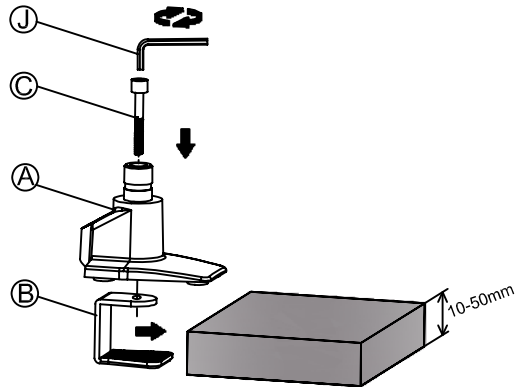


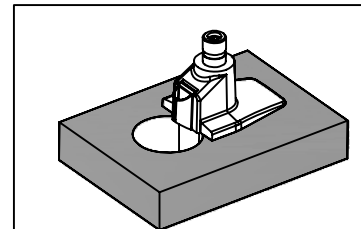
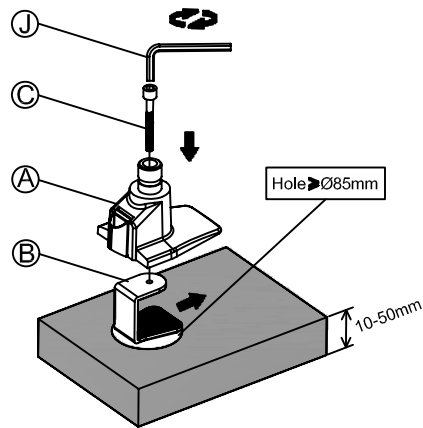
# Installation Manual

**Model No. : FSA-IRI-S100**

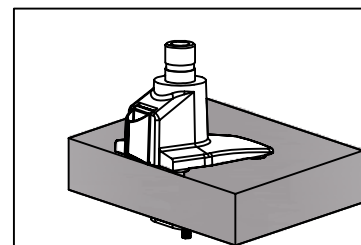
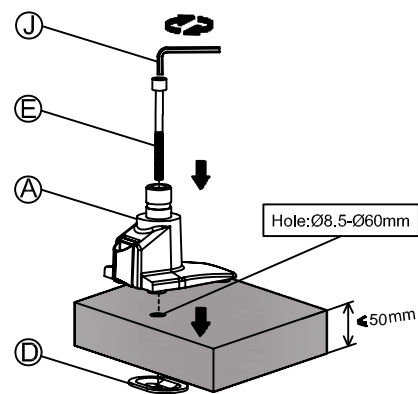
## Desk Clamp



## Grommet Hole

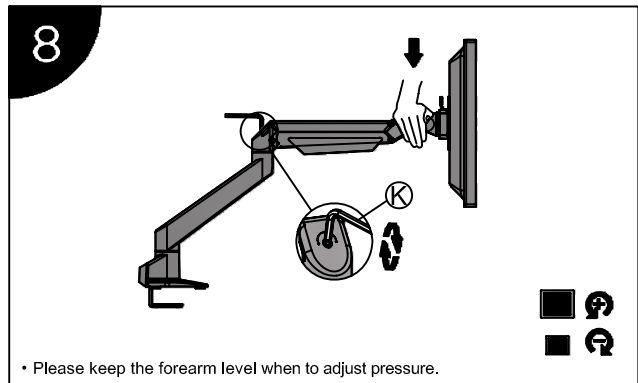
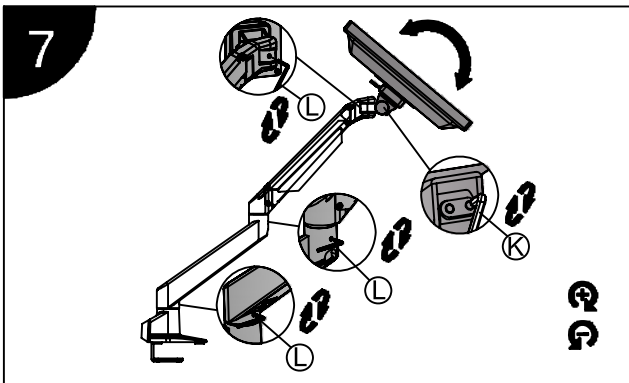
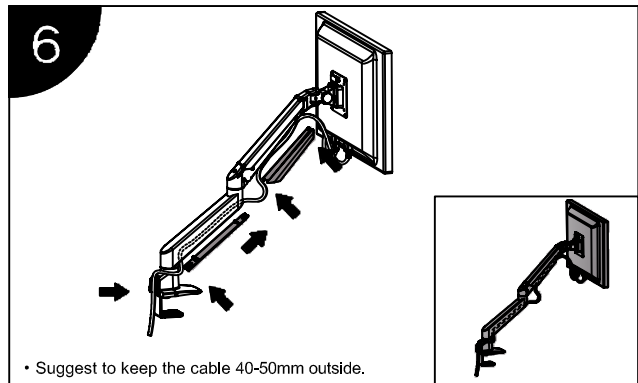
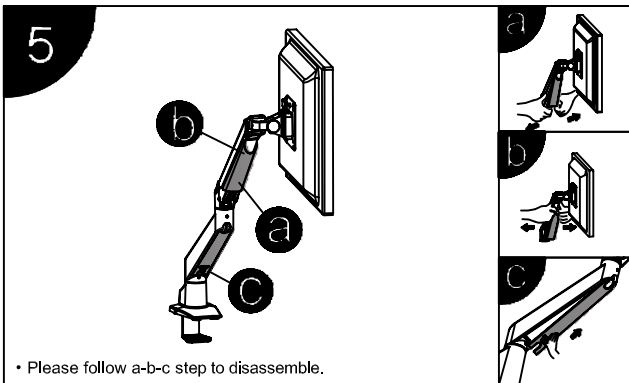
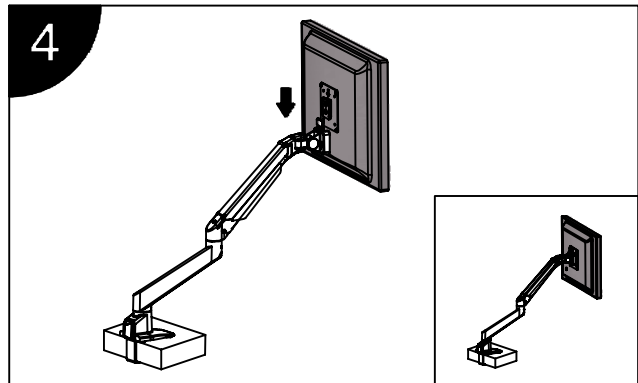
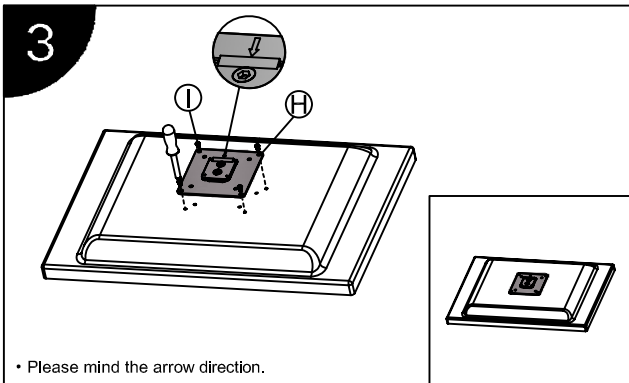
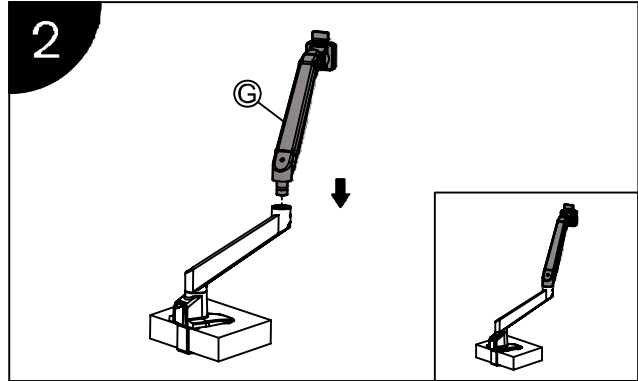
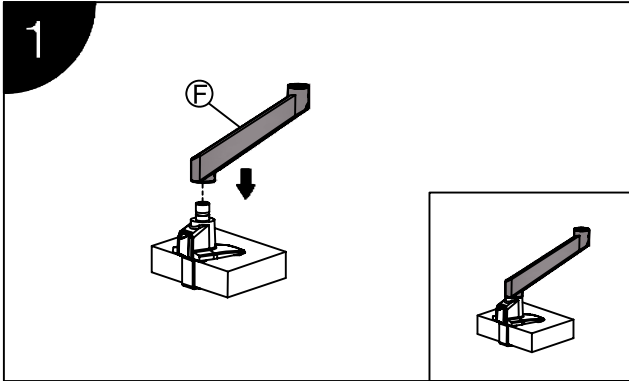


## Thru-Desk



# Installation Manual






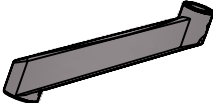
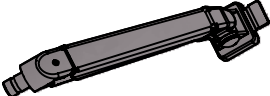





**Model No. : FSA-IRI-S100**



# Installation Manual

**Model No. : FSA-IRI-S100**

## Parts list

| No. | ITEM  | SPECS  | QUANTITY |
|-----|---|--------|----------|
| A   |    |        | 1        |
| B   |    |        | 1        |
| C   |    | M8*90  | 1        |
| D   |    |        | 1        |
| E   |  | M8*160 | 1        |
| F   |  |        | 1        |
| G   |  |        | 1        |
| H   |  |        | 1        |
| I   |  | M4*12  | 4        |
| J   |  | M6     | 1        |
| K   |  | M4     | 1        |
| L   |  | M3     | 1        |