
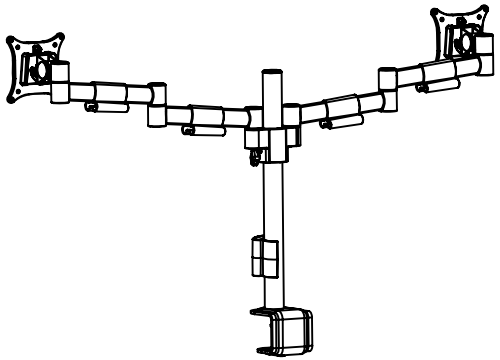

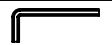








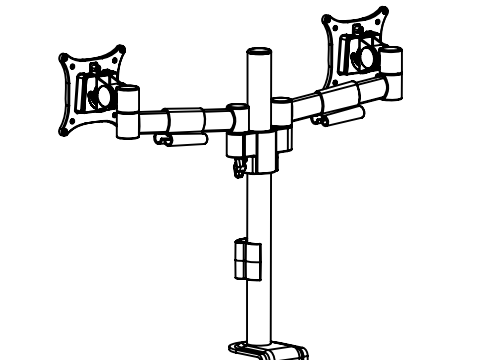










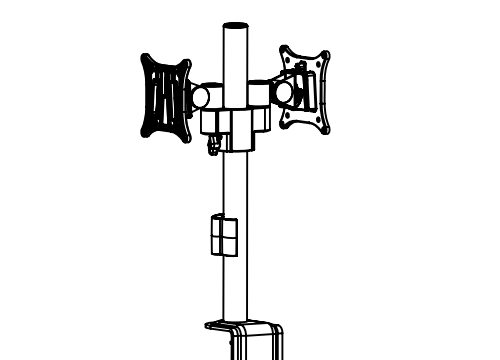
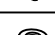

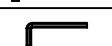








## Installation Manual

### Parts list


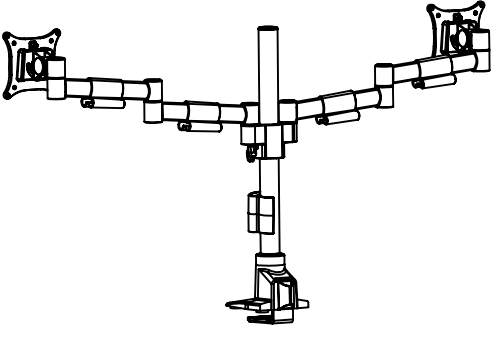

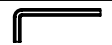

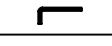
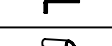




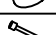
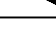
No.	ITEM	SPECS	QUANTITY	M200
A			8	
B			8	
C		M6	1	
D		M4	1	
F		M2.5	1	
G			1	
H			2	
I			1	
J		M8*90	1	
K			1	


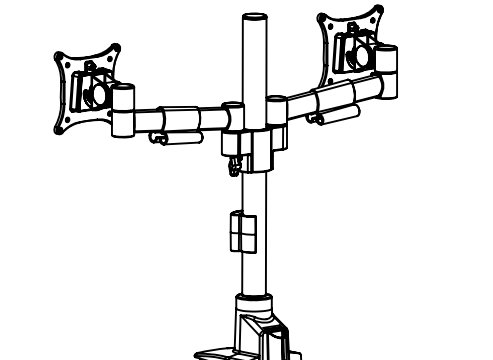



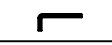


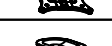

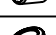


No.	ITEM	SPECS	QUANTITY	M201
A			8	
B			8	
C		M6	1	
D		M4	1	
F		M2.5	1	
G			1	
H			2	
I			1	
J		M8*90	1	
K			1	


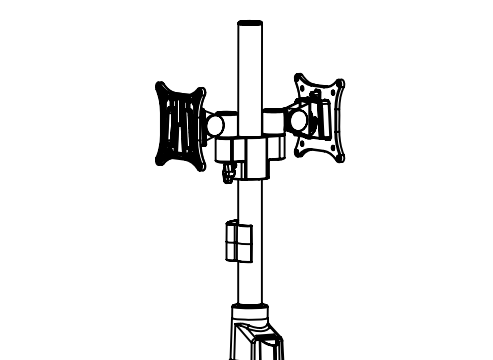
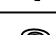



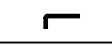






No.	ITEM	SPECS	QUANTITY	M203
A			8	
B			8	
C		M6	1	
D		M4	1	
F		M2.5	1	
G			1	
H			2	
I			1	
J		M8*90	1	
K			1	

## Installation Manual

### Parts list


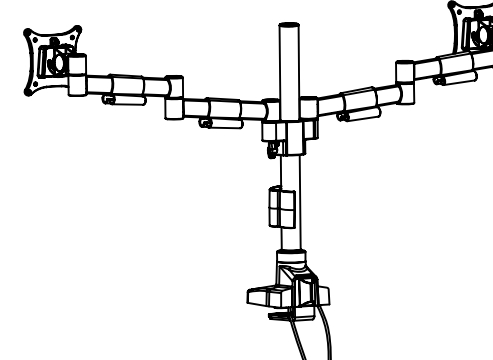




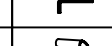




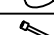
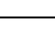
No.	ITEM	SPECS	QUANTITY	M204
A			8	
B			8	
C		M6	1	
D		M4	1	
E		M3	1	
F		M2.5	1	
G			1	
H			2	
I			1	
L		set screws M6*6	1	
M			1	
N		M8*160	1	


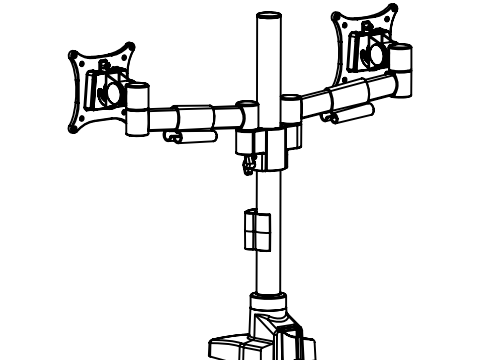





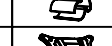
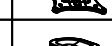

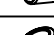


No.	ITEM	SPECS	QUANTITY	M205
A			8	
B			8	
C		M6	1	
D		M4	1	
E		M3	1	
F		M2.5	1	
G			1	
H			2	
I			1	
L		set screws M6*6	1	
M			1	
N		M8*160	1	

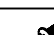
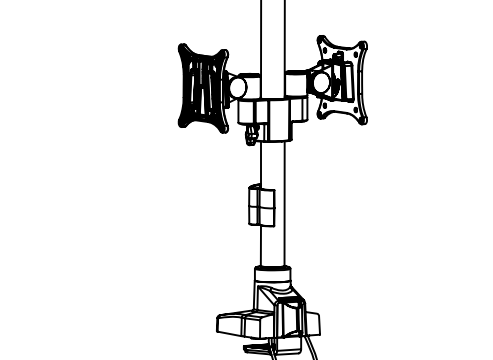








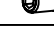


No.	ITEM	SPECS	QUANTITY	M207
A			8	
B			8	
C		M6	1	
D		M4	1	
E		M3	1	
F		M2.5	1	
G			1	
H			2	
I			1	
L		set screws M6*6	1	
M			1	
N		M8*160	1	

## Installation Manual

### Parts list

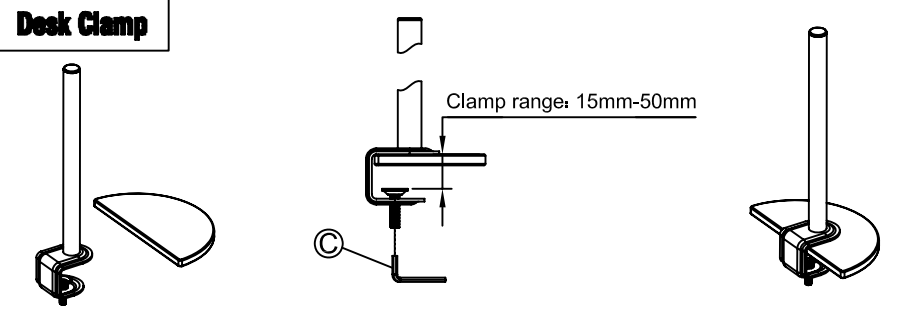
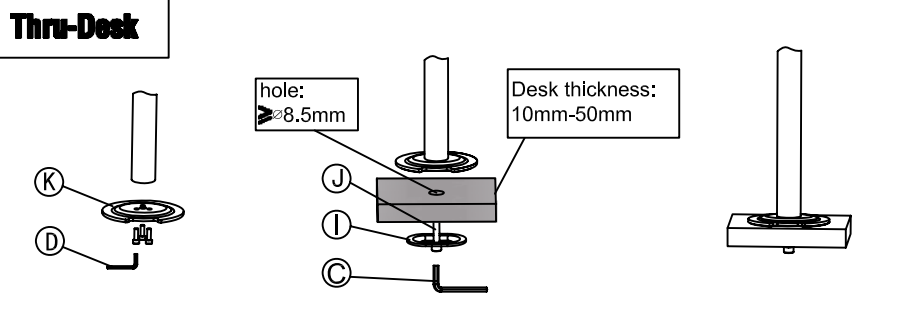
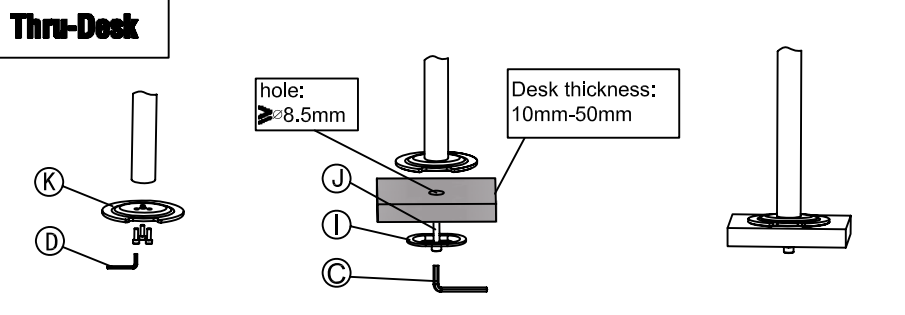
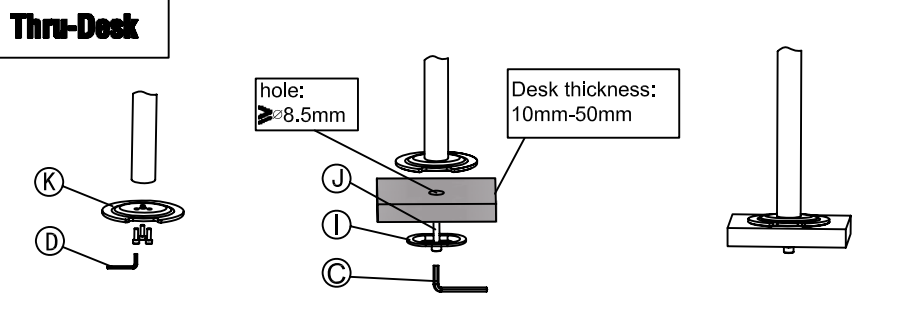
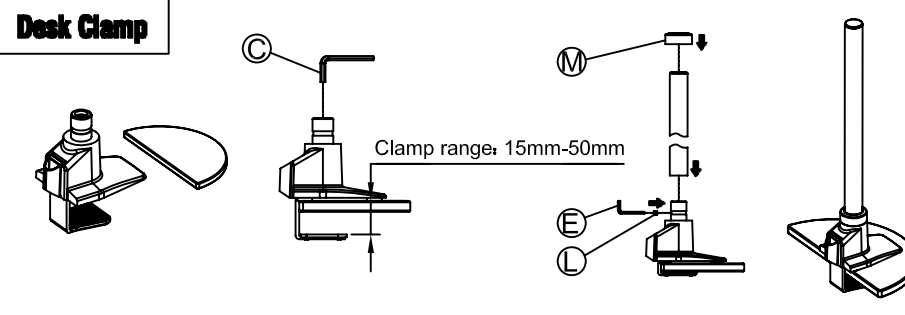
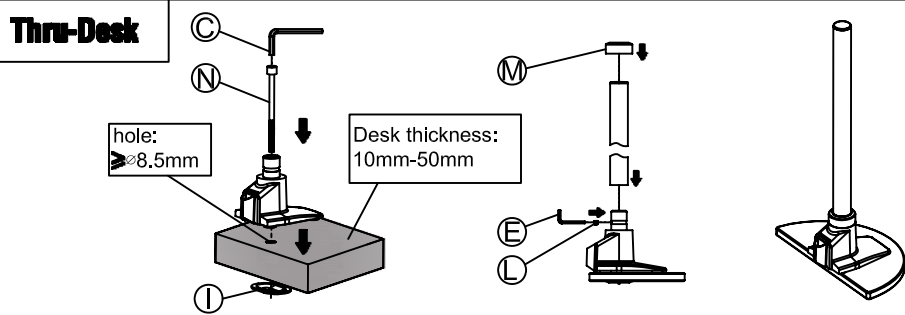
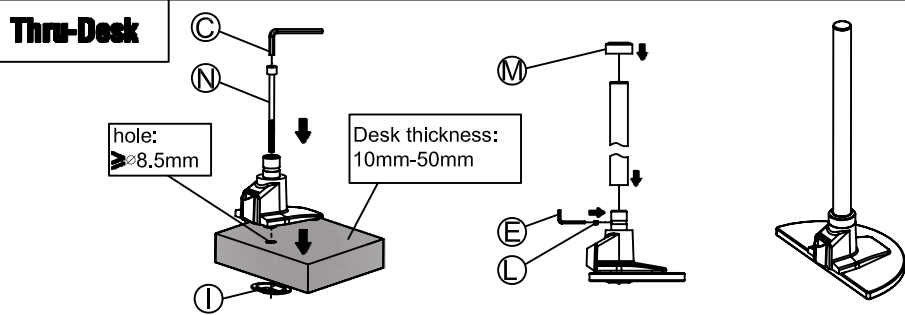
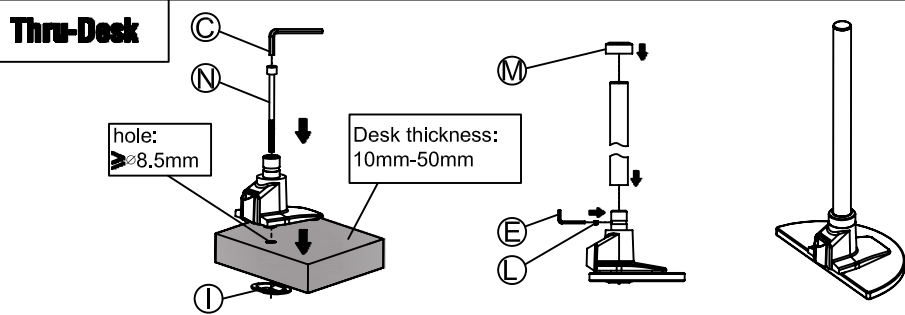
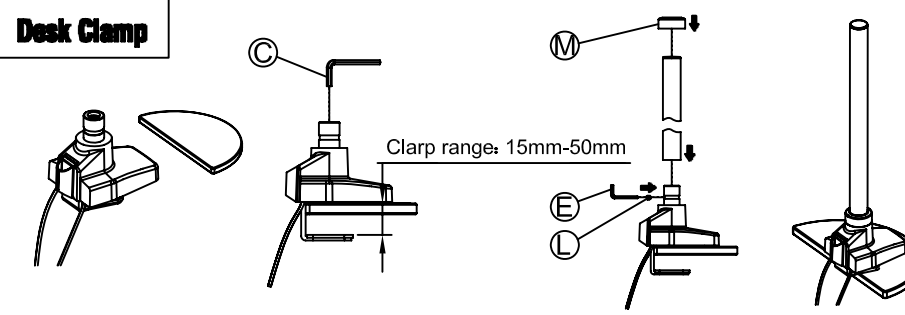
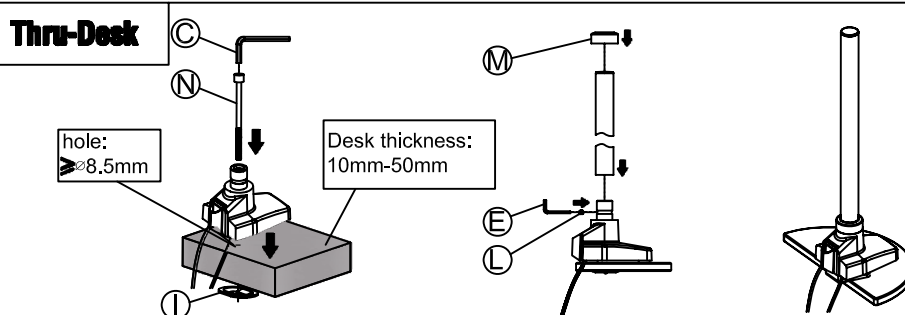
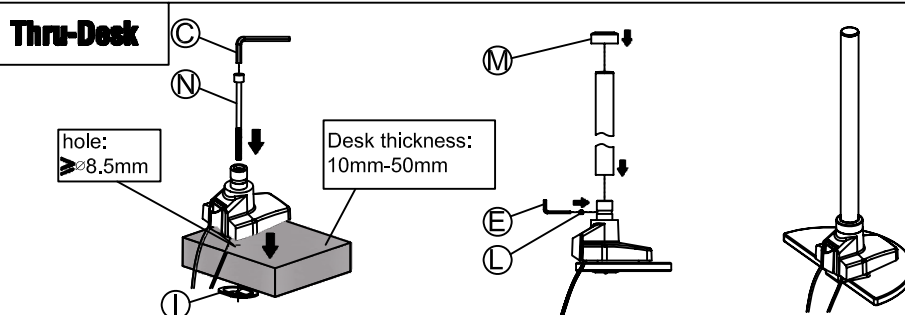
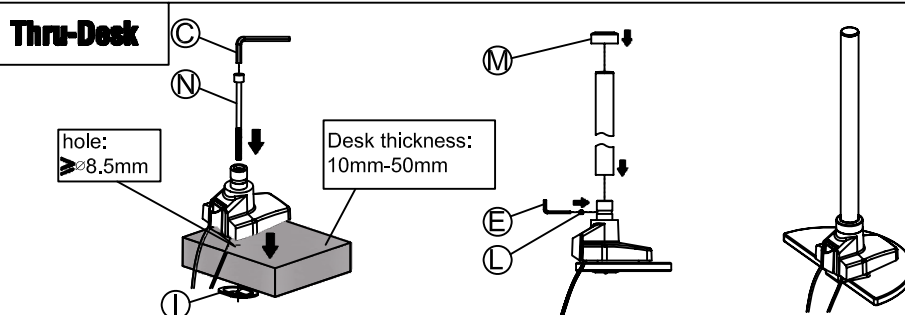
No.	ITEM	SPECS	QUANTITY	M204U
A			8	
B			8	
C		M6	1	
D		M4	1	
E		M3	1	
F		M2.5	1	
G			1	
H			2	
I			1	
L		set screws M6*6	1	
M			1	
N		M8*160	1	

No.	ITEM	SPECS	QUANTITY	M205U
A			8	
B			8	
C		M6	1	
D		M4	1	
E		M3	1	
F		M2.5	1	
G			1	
H			2	
I			1	
L		set screws M6*6	1	
M			1	
N		M8*160	1	

No.	ITEM	SPECS	QUANTITY	M207U
A			8	
B			8	
C		M6	1	
D		M4	1	
E		M3	1	
F		M2.5	1	
G			1	
H			2	
I			1	
L		set screws M6*6	1	
M			1	
N		M8*160	1	

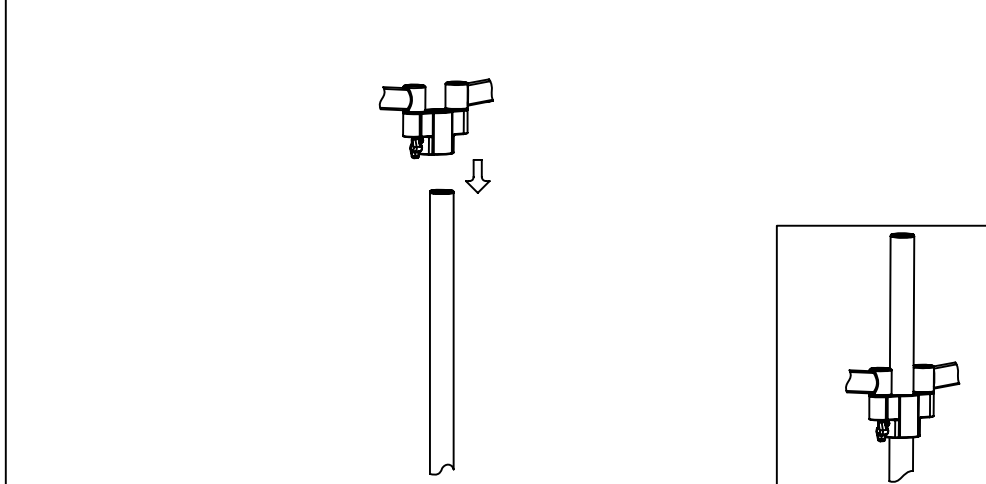
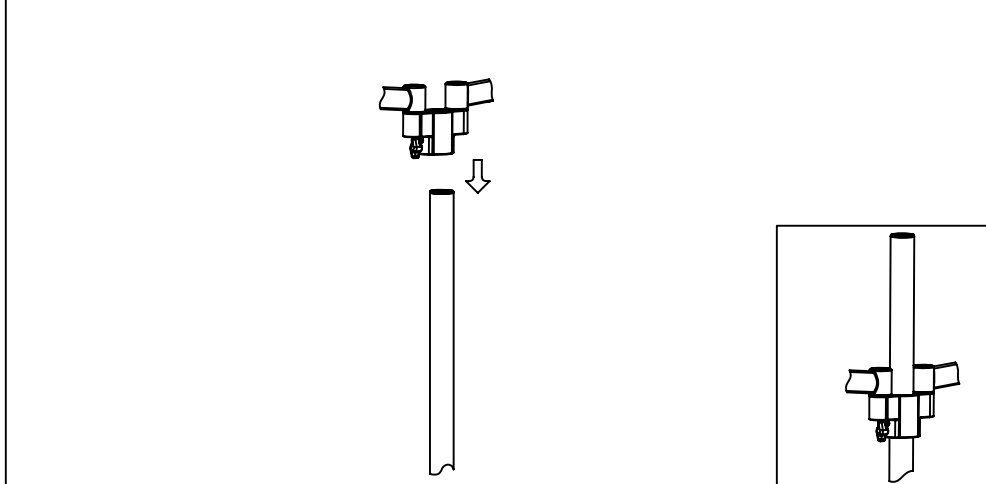
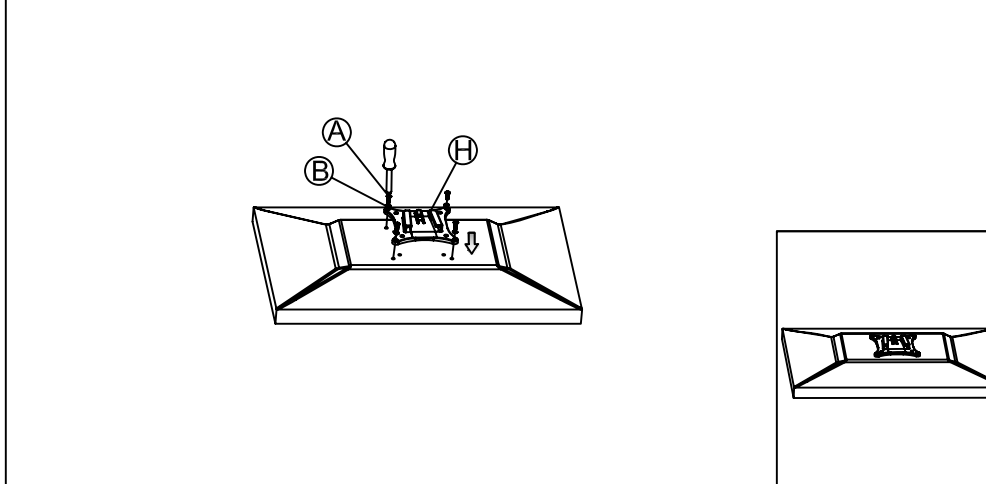
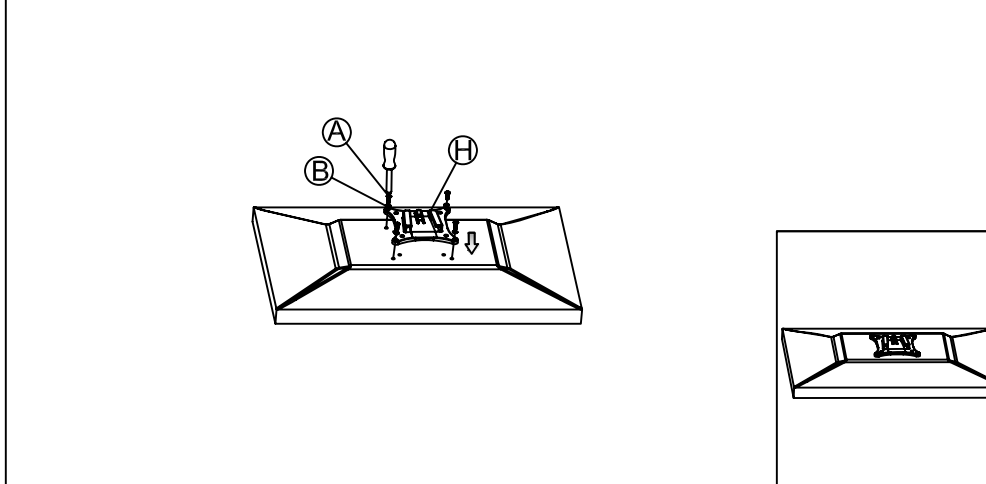
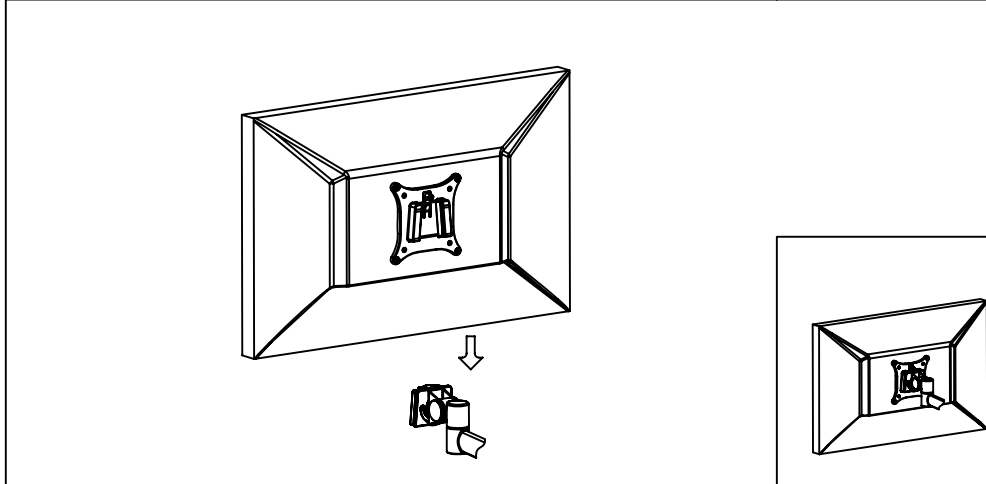
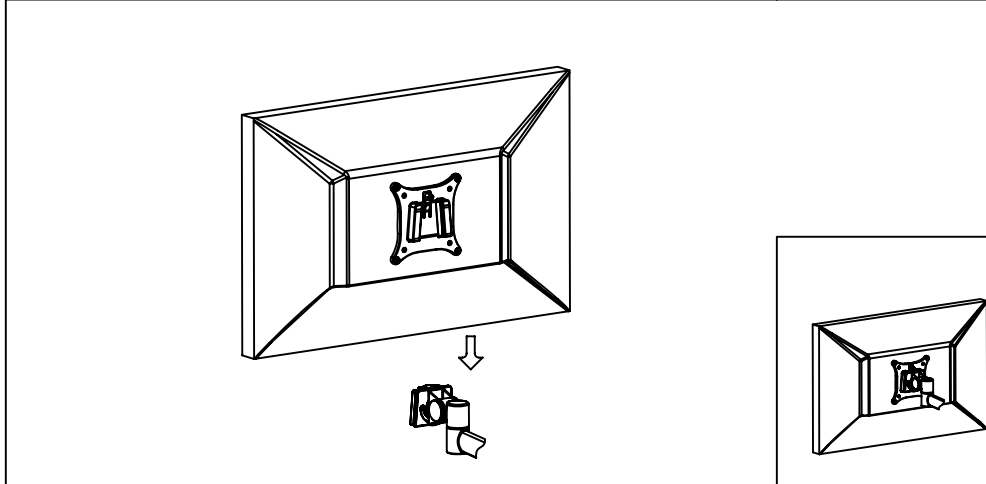
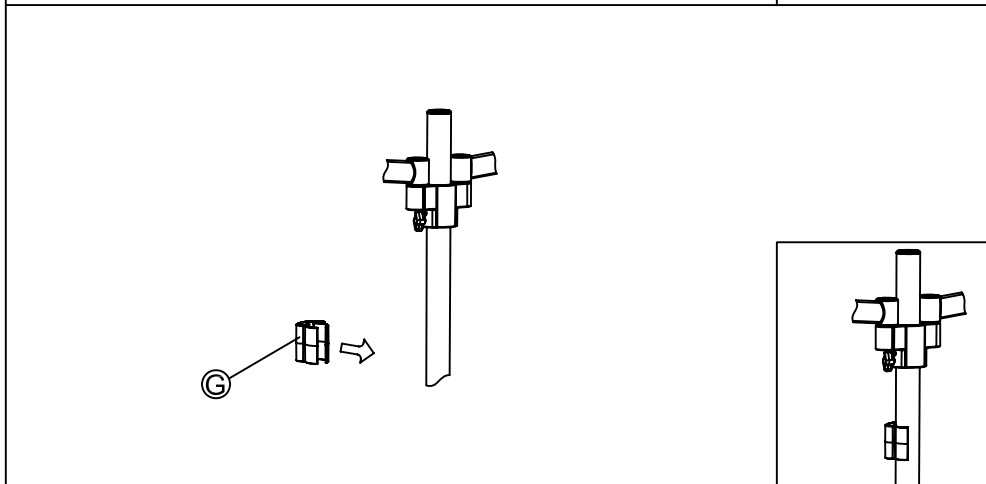
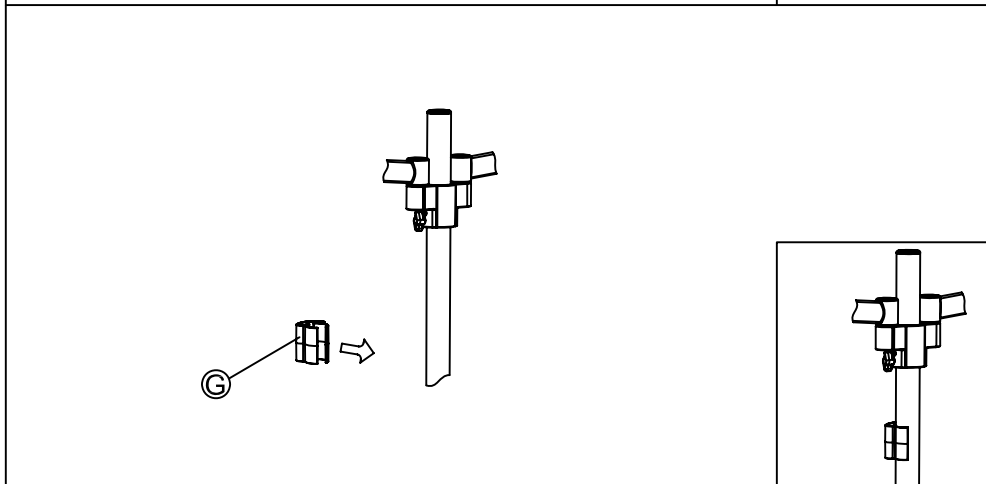
# Installation Manual

## Clamp Installation

I	<b>Desk Clamp</b>  <p>Clamp range: 15mm-50mm</p>	 <p>hole: <math>\geq 8.5\text{mm}</math> Desk thickness: 10mm-50mm</p>
	<b>Thru-Desk</b>  <p>hole: <math>\geq 8.5\text{mm}</math> Desk thickness: 10mm-50mm</p>	 <p>hole: <math>\geq 8.5\text{mm}</math> Desk thickness: 10mm-50mm</p>
II	<b>Desk Clamp</b>  <p>Clamp range: 15mm-50mm</p>	 <p>hole: <math>\geq 8.5\text{mm}</math> Desk thickness: 10mm-50mm</p>
	<b>Thru-Desk</b>  <p>hole: <math>\geq 8.5\text{mm}</math> Desk thickness: 10mm-50mm</p>	 <p>hole: <math>\geq 8.5\text{mm}</math> Desk thickness: 10mm-50mm</p>
III	<b>Desk Clamp</b>  <p>Clamp range: 15mm-50mm</p>	 <p>hole: <math>\geq 8.5\text{mm}</math> Desk thickness: 10mm-50mm</p>
	<b>Thru-Desk</b>  <p>hole: <math>\geq 8.5\text{mm}</math> Desk thickness: 10mm-50mm</p>	 <p>hole: <math>\geq 8.5\text{mm}</math> Desk thickness: 10mm-50mm</p>

# Installation Manual

## Arm Installation

# Installation Manual

## Arm Adjustment

