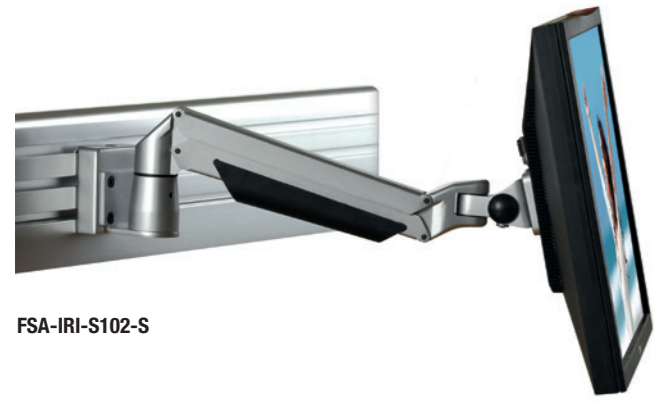
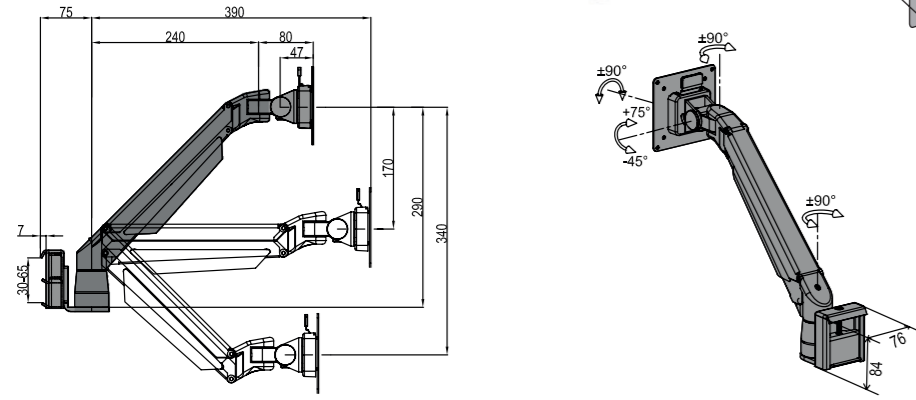


Slat Wall Gas Arm



FSA-IRI-S102-S



PRODUCT FEATURES

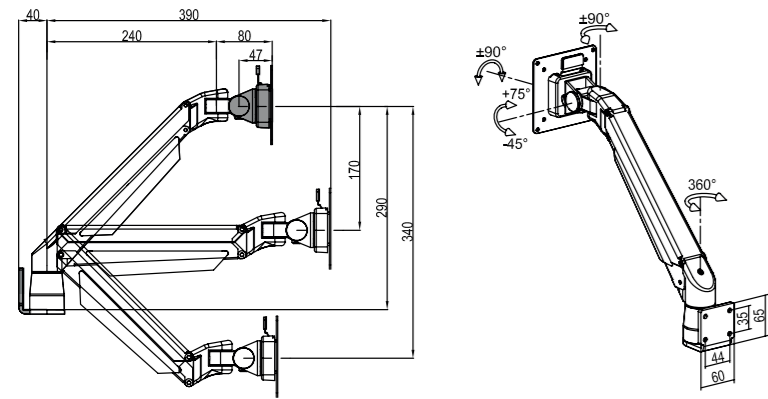
- Easy to adjust both monitor to preferred view
- Gas Lift height adjustable
- Quick release VESA

- LCD size** ≤30"
- Wt. capacity** 2-10 / 9-21
- Lift** 340mm
- Tilt** +75° -45°
- Swivel** +/- 90°
- Pivot** +/- 90°
- VESA** 75x75 / 100x100
- Packing Size** Inner 520x140x110mm Outer 535x155x350mm

Wall Mount Gas Arm



FSA-IRI-S103-S



PRODUCT FEATURES

- Easy to adjust both monitor to preferred view
- Gas Lift height adjustable
- Quick release VESA

- LCD size** ≤30"
- Wt. capacity** 2-10 / 9-21
- Lift** 340mm
- Tilt** +75° -45°
- Swivel** +/- 90°
- Pivot** +/- 90°
- VESA** 75x75 / 100x100
- Packing Size** Inner 520x140x110mm Outer 535x155x350mm

IRIS MONITOR ARM



GAS ARM ACCESSORIES

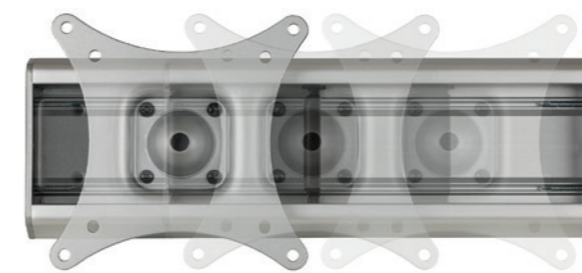
Laptop Vessa Attachment FSA-OR0-ACC-001



Iris Height Extender – Silver FSA-IRI-ACC-010



Slide for Iris Monitor Arm – Silver FSA-IRI-SLIDE-01



IRIS MONITOR ARM

Our industry leading Iris Arms provide smooth individual screen adjustment at your fingertips. The Iris Arm is the ultimate monitor arm solution.

Single Flat Screen Gas Arm



FSFSA-IRI-S100-W



FSFSA-IRI-S100-B

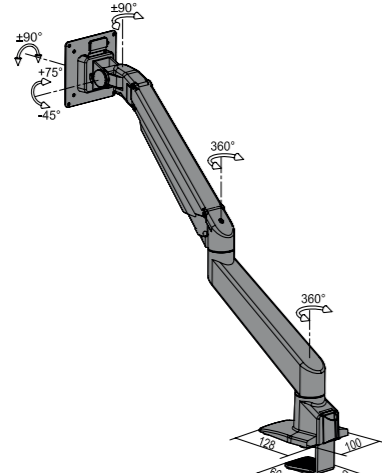
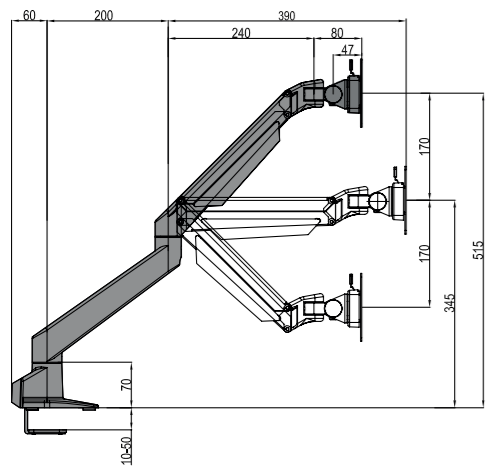
PRODUCT FEATURES

- Easy to adjust both monitors to preferred and unobstructed view
- Weight adjustable to suit monitors of all sizes
- Quick and easy installation

- LCD size** ≤30"
- Wt. capacity** 2-10 / 9-21
- Lift** 340mm
- Tilt** +75° -45°
- Swivel** +/- 90°
- Pivot** +/- 90°
- VESA** 75x75 / 100x100
- Packing Size** Inner 475x195x140mm Outer 490x210x440mm



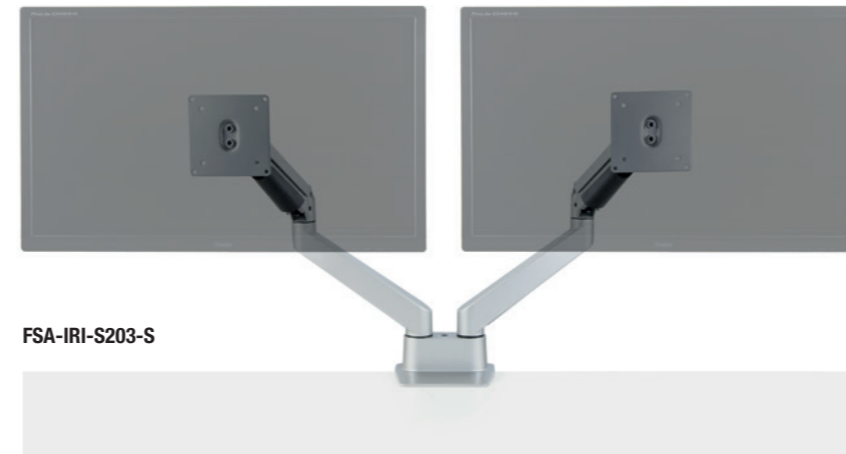
FSFSA-IRI-S100-S



Double Flat Screen Gas Arms



FSA-IRI-S203-W

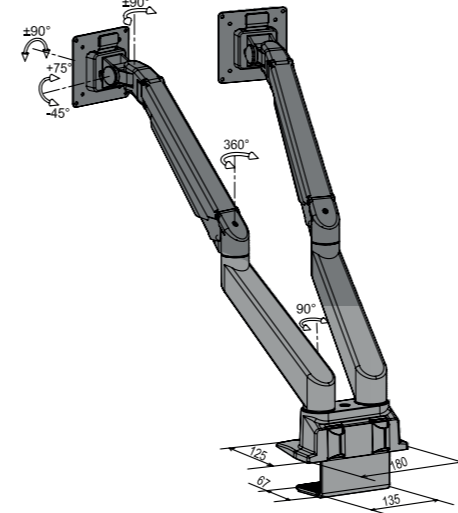
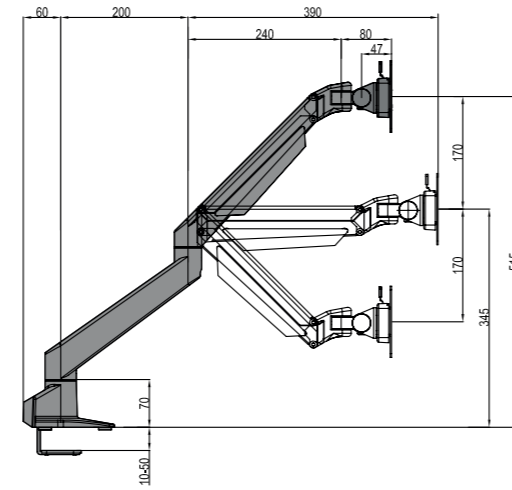


FSA-IRI-S203-S

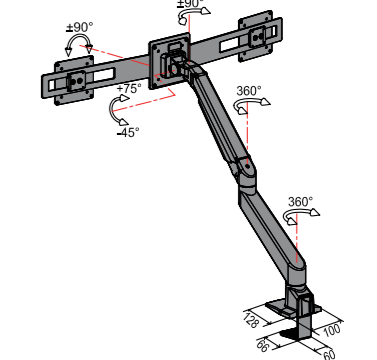
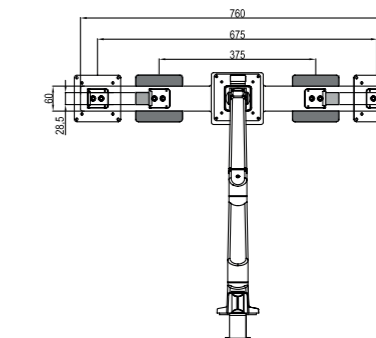
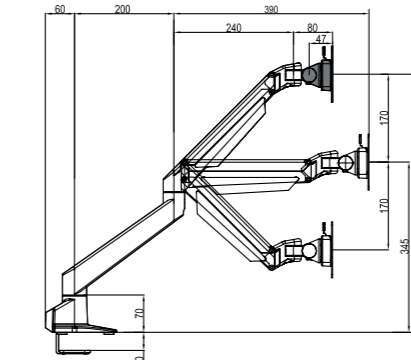
PRODUCT FEATURES

- Easy to adjust both monitors to preferred and unobstructed view
- Weight adjustable to suit monitors of all sizes
- Quick and easy installation

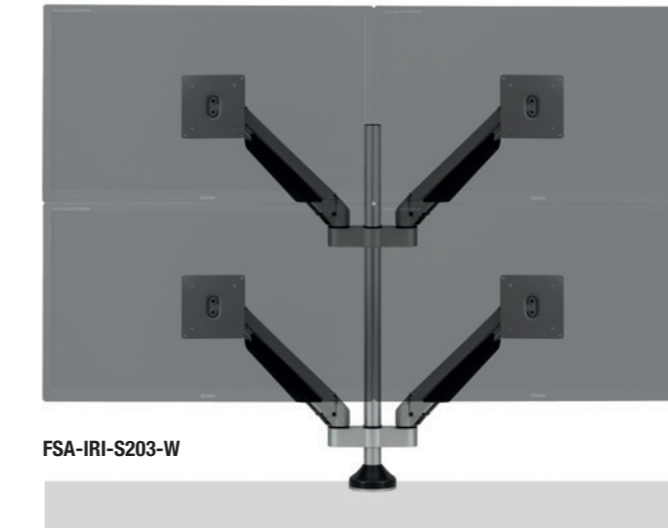
- LCD size** ≤24"
- Wt. capacity** 2-10 / 9-21
- Lift** 340mm
- Tilt** +75° -45°
- Swivel** +/- 90°
- Pivot** +/- 90°
- VESA** 75x75 / 100x100
- Packing Size** Inner 580x255x165mm Outer 595x240x515mm



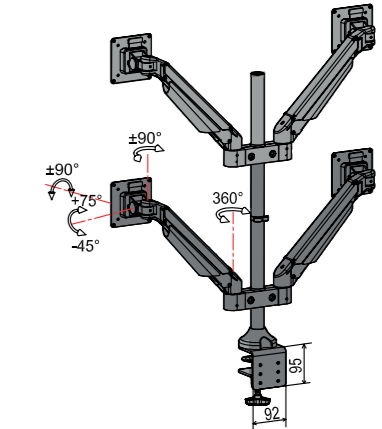
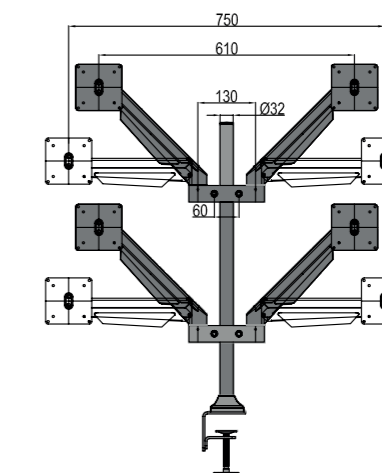
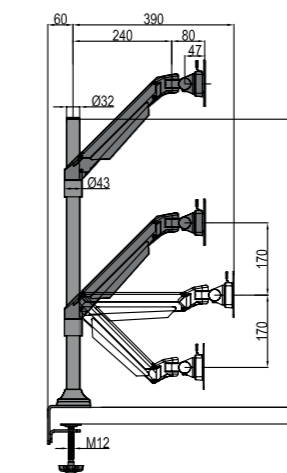
FSA-IRI-S207-S



Quad Screen Pole Arm



FSA-IRI-S203-W



PRODUCT FEATURES

- Easy to adjust monitors to preferred and unobstructed view
- Weight adjustable to suit monitors of all sizes
- Quick and easy installation

- LCD size** ≤24"
- Wt. capacity** 2-10 / 9-21
- Lift** 340mm
- Tilt** +75° -45°
- Swivel** +/- 90°
- Pivot** +/- 90°
- VESA** 75x75 / 100x100
- Packing Size** 965x255x150mm

PRODUCT FEATURES

- Quick and easy installation
- Ideal for workstations where space is restricted
- Dual Arm attachment available as separate item to easily turn in existing single arm into a double

- LCD size** ≤24"
- Wt. capacity** 2-10 / 9-21
- Lift** 340mm
- Tilt** +75° -45°
- Swivel** +/- 90°
- Pivot** +/- 90°
- VESA** 75x75 / 100x100
- Packing Size** Inner 475x195x140mm Outer 490x210x440mm