

PDO MK1

General Information

11

DIMENSIONS:

Total Height: 392mm (Approx 15-2/5 in.)
Max Width: 109.5mm (Approx. 4-3/10 in.)
Mounting Hole: 80mm (Approx. 3-3/20 in.)

WORK SURFACE THICKNESS:

10mm - 50mm (Approx. 2/5 in. - 2 in.)

ELECTRICAL:

Operating Voltage: 220V AC - 250V AC @ 50 Hz
Current: 15A (3-pin outlet)
10A (2-pin outlet)
Max Power: 3000W @ 220V AC - 250V AC

MAINTENANCE AND CARE:

Ensure unit is disconnected prior to cleaning.
Clean the unit with a damp cloth and dry immediately.
Do not use harsh chemical solvents.

The PDO Mk1 - the perfect solution for kitchens, work-shops, TV stands, office desks and so much more!



©2016 Copyright Powerlogic SA (Pty) Ltd. All Rights Reserved. Due to continual product improvements and upgrades, Power Logic reserves the right to amend and change products as it sees fit. As such, images of products are for indicative purposes only and actual products may vary from those depicted and certain options may be unavailable. Always check with your distributor or with Power Logic regarding availability of the product of your choice.

15A THERMAL OVERLOAD SWITCH

Protects the unit and other products connected to it from getting damaged in the case of a power surge.

VARIABLE POWER OUTLET ORIENTATION

A power outlet can be rotated at any angle in 45° increments.

POWER OUTLETS

Choose between 24 international power outlets. Visit our website for options: www.powerlogic.net

LOCK RELEASE BUTTON

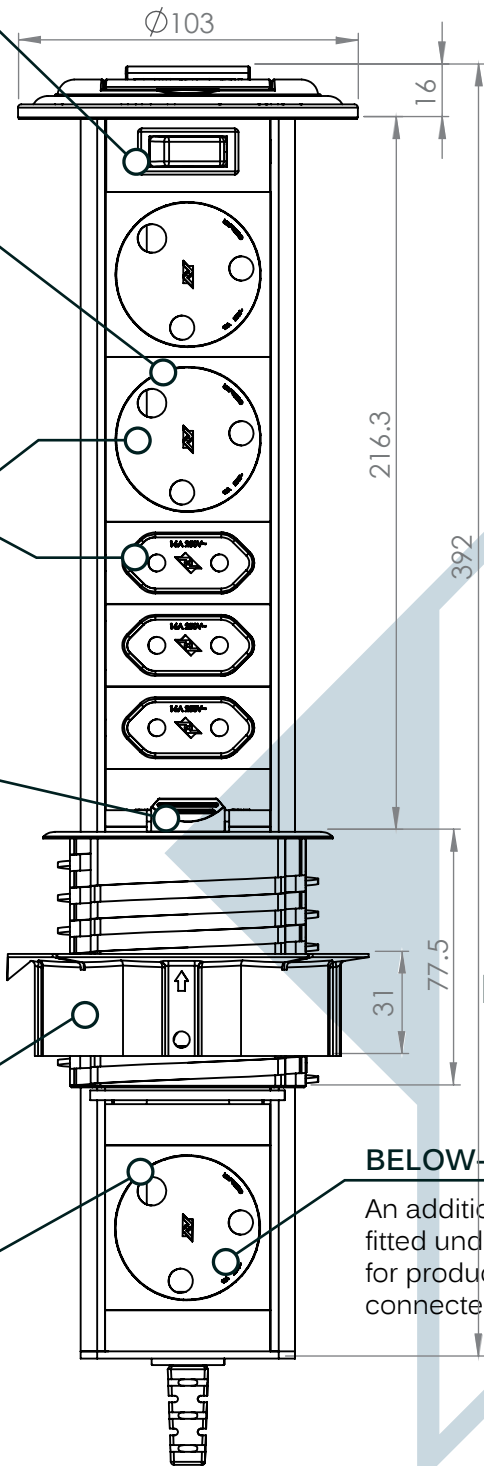
Button keeps unit locked in the raised position and, once pressed, releases lock to allow for lowering unit back into work surface.

LOCKING COLLAR RING

A robust locking collar for quick and easy installation

SHUTTERED OUTLETS

Power outlets come with a built-in shutter to protect against foreign objects being inserted.



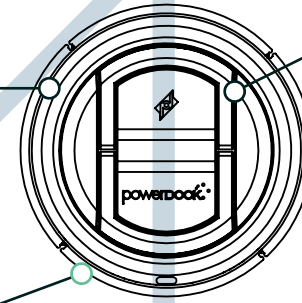
FRONT VIEW

SPLASH PROOF SEAL

Unit comes with a rubber seal to protect against liquid spills.

ALUMINIUM CAP COVER

Aluminium cap cover to protect the rubber seal.



TOP VIEW

HANDLES

Two fold-flat chromed handles for raising and lowering the unit in and out of the work surface.

BELOW-SURFACE POWER

An additional power outlet is fitted under the work surface for products that need to be connected permanently.

FEATURES

