

OMEGA

General Information

6

DIMENSIONS:

Cut-out Width: 67mm (Approx. 2-3/5 in.)
Cut-out Length: Determined by Configuration
Total Height: 50mm (Approx. 2 in.)

WORK SURFACE THICKNESS:

15mm - 30mm (Approx. 3/5 in. - 1-3/5 in.)

ELECTRICAL:

Operating Voltage: 220V - 250V @ 50 Hz
110V - 125V AC @ 60 Hz
Current: 15A (20A - upgraded wiring)
Max Power: 1800W @ 110V - 125V AC
3000W @ 220V - 250V AC

MAINTENANCE AND CARE:

Ensure unit is disconnected prior to cleaning.
Clean the unit with a damp cloth and dry immediately.
Do not use harsh chemical solvents.

Simplify and manage any desk and enjoy easy access to power and data with the in-desk mounted Omega unit. Never struggle to reach a power or data outlet again!



©2016 Copyright Powerlogic SA (Pty) Ltd. All Rights Reserved. Due to continual product improvements and upgrades, Power Logic reserves the right to amend and change products as it sees fit. As such, images of products are for indicative purposes only and actual products may vary from those depicted and certain options may be unavailable. Always check with your distributor or with Power Logic regarding availability of the product of your choice.

FEATURES

POWER OUTLET ORIENTATION

Power outlets are pre-fitted at any angle in 45° increments. See reverse for details.

VARIOUS CONFIGURATIONS

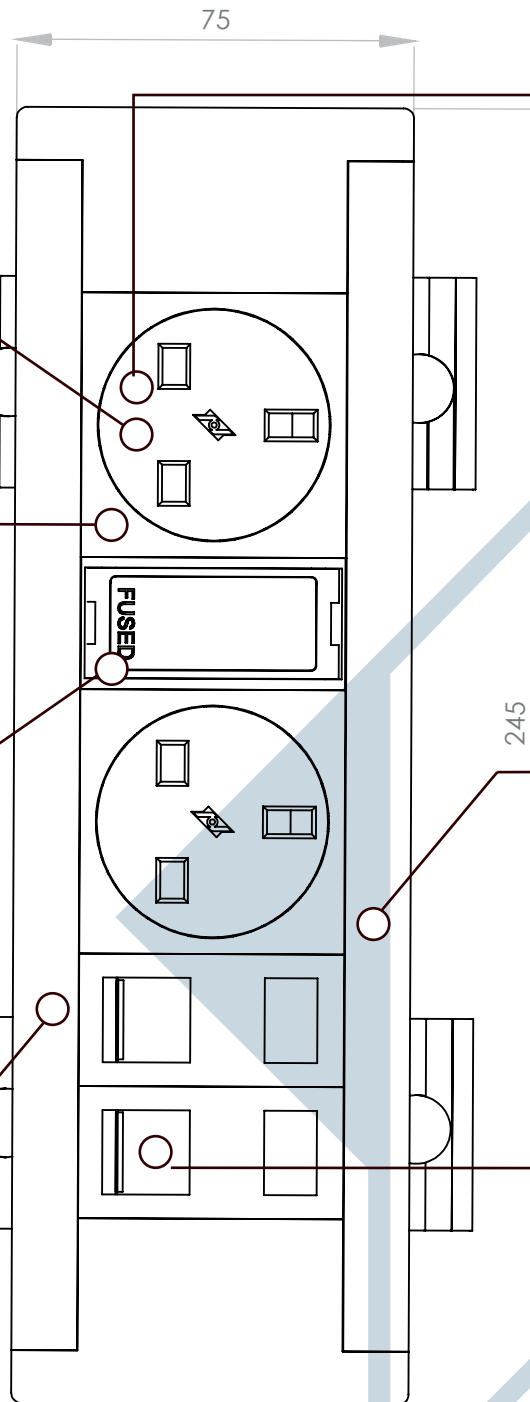
The possibilities are nearly endless with a wide variety of power outlets, data/voice connections, switches and protection devices available in any configuration.

PROTECTION

Units can be fitted with Fuses, RCCB, RCB, ELCB or filters to protect against power overloads.

SWITCHES

The unit is able to house a 15A Thermal Overload Switch as well as other standard red or green switches depending on the client's request.



TOP VIEW

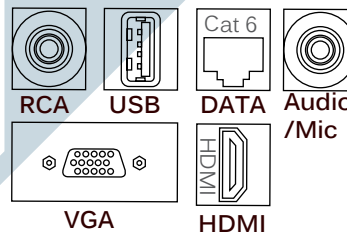
POWER OUTLETS

Choose from 24 international power outlets available in black, grey and white. Optional colours also available. Contact your closest distributor or visit www.powerlogic.net for more information.

AESTHETICS

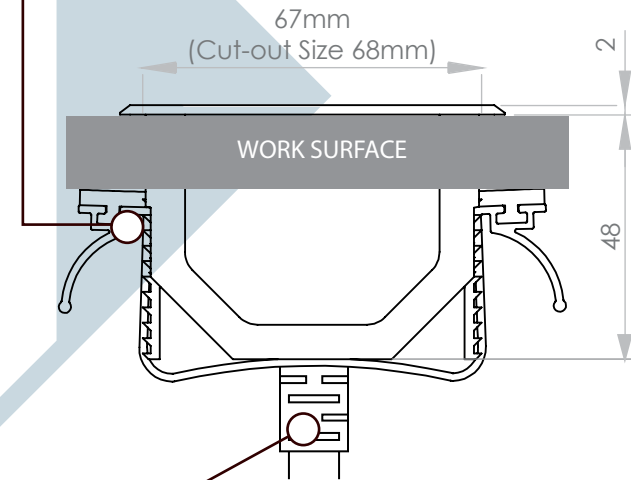
The unit has a wide variety of colours and finishes for both metal and plastic components that are sure to complement any environment. Contact your distributor for detailed options.

PERIPHERAL OPTIONS



MOUNTING

The Omega can be mounted in any work surface with a desk thickness ranging from 15mm to 30mm. See reverse for installation options.



POWER OPTIONS

The unit has Hybrid Power capabilities (power & data) and is also able to house one or more circuits in a single unit.

SIDE VIEW

