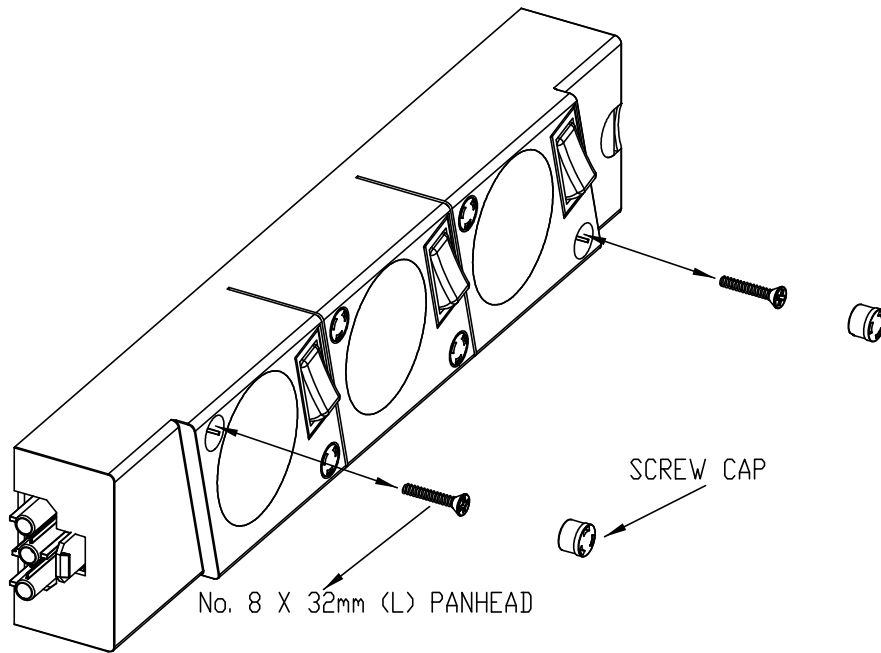


1. REMOVE OBLIQUE SCREW CAPS
2. ATTACH THE OBLIQUE UNIT TO THE BRACKET WITH SELF TAPPING SCREW  
-No.8 X 32mm (L) PANHEAD
3. REPLACE SCREW CAPS

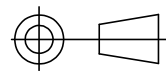


PART: DBI - 100504 (OBLIQUE INTERFACE ASSEM. INSTRUCTIONS)

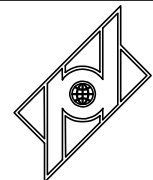
TITLE: OBLIQUE INTERFACE PROJECT: ASSEMBLY INSTRUCTIONS

REV: R1

	NAME	SIGNATURE	DATE	MATERIAL:
DRAWN BY	NB		11/05/04	
CHECKED BY	AM		11/05/04	
APPROVED BY	AM		11/05/04	



© COPYRIGHT:  
POWER LOGIC SA (PTY) LTD, 2004



Tel. +27 21 704-1450  
Fax +27 21 704-1424

A4

TOLERANCES ACCORDING TO ISO 2768-mK UNLESS OTHERWISE SPECIFIED  
ALL DIMENSIONS ARE IN MILLIMETERS - DO NOT SCALE -

DOCUMENT MUST NOT BE USED FOR ANY OTHER PURPOSE THAN THAT FOR WHICH IT WAS SUPPLIED. UNAUTHORISED COPYING OR REDISTRIBUTION IS PROHIBITED.

SHEET 1 OF 1

SCALE:1:5