



V-DOCK

Perfect for expensive boardroom tables.

The V-Dock enables the table manufacturer to custom design their own top lid.

V-DOCK

The V Dock is a simple under desk mounted, dual faceted boardroom power unit that can be concealed by any cover of the user's design. The unit is fastened to the underside of the work surface under a pre-cut aperture. This unique power unit gives the option to use the cut out part of the work surface as the lid.

The V-Dock can house almost any configuration and customers can choose between a solid base, rubber flap or bristle base to allow cables to enter or exit the unit from below.



2 x UK individually fused | 2 x data | 1x HDMI, VGA & Audio | Cut-out dimensions 170x126mm



- V1-204-1355HSA2 Cat5e, 2m
- V1-204-1355HSA3 Cat5e, 3m
- V1-204-1355HSA5 Cat5e, 5m
- V1-204-1366HSA2 Cat6, 2m
- V1-204-1366HSA3 Cat6, 3m
- V1-204-1366HSA5 Cat6, 5m

- V1-204-1055HSA2 Cat5e, 2m
- V1-204-1055HSA3 Cat5e, 3m
- V1-204-1055HSA5 Cat5e, 5m
- V1-204-1066HSA2 Cat6, 2m
- V1-204-1066HSA3 Cat6, 3m
- V1-204-1066HSA5 Cat6, 5m

4 x UK individually fused | 2 x data | 1x HDMI, VGA & Audio | Cut-out dimensions 220x126mm



- V2-404-1355HSA2 Cat5e, 2m
- V2-404-1355HSA3 Cat5e, 3m
- V2-404-1355HSA5 Cat5e, 5m
- V2-404-1366HSA2 Cat6, 2m
- V2-404-1366HSA3 Cat6, 3m
- V2-404-1366HSA5 Cat6, 5m

- V2-404-1055HSA2 Cat5e, 2m
- V2-404-1055HSA3 Cat5e, 3m
- V2-404-1055HSA5 Cat5e, 5m
- V2-404-1066HSA2 Cat6, 2m
- V2-404-1066HSA3 Cat6, 3m
- V2-404-1066HSA5 Cat6, 5m

2 x UK individually fused | Dual Smart Charge USB | 2 x data | 1x HDMI, VGA & Audio | Cut-out dimensions 220x126mm



- V2-2S5-1352 Cat5e, 2m
- V2-2S5-1353 Cat5e, 3m
- V2-2S5-1355 Cat5e, 5m
- V2-2S5-1362 Cat6, 2m
- V2-2S5-1363 Cat6, 3m
- V2-2S5-1365 Cat6, 5m
- V2-2S5-1052 Cat5e, 2m
- V2-2S5-1053 Cat5e, 3m
- V2-2S5-1055 Cat5e, 5m
- V2-2S5-1062 Cat6, 2m
- V2-2S5-1063 Cat6, 3m
- V2-2S5-1065 Cat6, 5m

2 x UK individually fused | 4 x data | Cut-out dimensions 420x126mm



- V3-204-1352 Cat5e, 2m
- V3-204-1353 Cat5e, 3m
- V3-204-1355 Cat5e, 5m
- V3-204-1362 Cat6, 2m
- V3-204-1363 Cat6, 3m
- V3-204-1365 Cat6, 5m
- V3-204-1052 Cat5e, 2m
- V3-204-1053 Cat5e, 3m
- V3-204-1055 Cat5e, 5m
- V3-204-1062 Cat6, 2m
- V3-204-1063 Cat6, 3m
- V3-204-1065 Cat6, 5m

2 x UK individually fused | 4 x data | Dual Smart Charge USB | 1x HDMI, SVGA & Audio | Cut-out dimensions 420x126mm



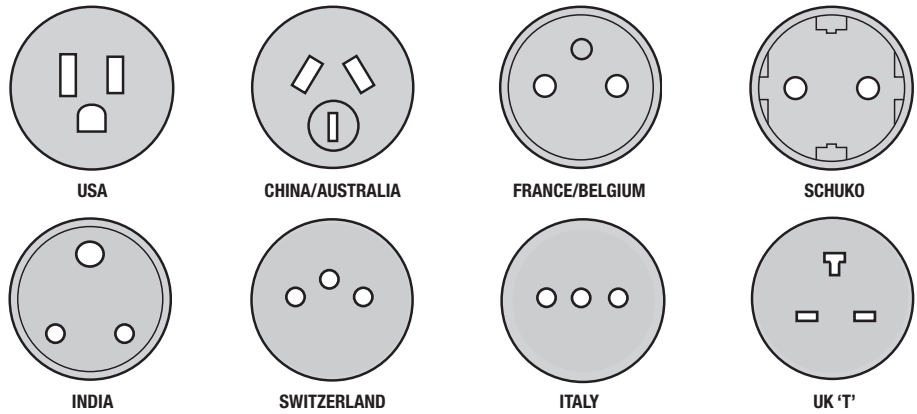
- V3-2S7-105555HSA2 Cat5e, 2m
- V3-2S7-105555HSA3 Cat5e, 3m
- V3-2S7-105555HSA5 Cat5e, 5m
- V3-2S7-106666HSA2 Cat6, 2m
- V3-2S7-106666HSA3 Cat6, 3m
- V3-2S7-106666HSA5 Cat6, 5m
- V3-2S7-105555HSA2 Cat5e, 2m
- V3-2S7-105555HSA3 Cat5e, 3m
- V3-2S7-105555HSA5 Cat5e, 5m
- V3-2S7-106666HSA2 Cat6, 2m
- V3-2S7-106666HSA3 Cat6, 3m
- V3-2S7-106666HSA5 Cat6, 5m

4 x UK individually fused | 4 x data | Dual Smart Charge USB | 1x HDMI, VGA & Audio | Cut-out dimensions 420x126mm

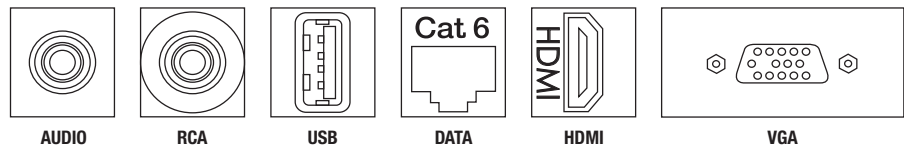


- V3-4S7-105555HSA2 Cat5e, 2m
- V3-4S7-105555HSA3 Cat5e, 3m
- V3-4S7-105555HSA5 Cat5e, 5m
- V3-4S7-106666HSA2 Cat6, 2m
- V3-4S7-106666HSA3 Cat6, 3m
- V3-4S7-106666HSA5 Cat6, 5m
- V3-4S7-105555HSA2 Cat5e, 2m
- V3-4S7-105555HSA3 Cat5e, 3m
- V3-4S7-105555HSA5 Cat5e, 5m
- V3-4S7-106666HSA2 Cat6, 2m
- V3-4S7-106666HSA3 Cat6, 3m
- V3-4S7-106666HSA5 Cat6, 5m

POWER LOGIC are the recognised market leader throughout the world. As such we can supply all our power products with a vast range of approved international power sockets. (full details in the technical brochure).



We stock a vast range of Data and AV interfaces that can be fitted within the V-Dock range (full details in the technical brochure). We also stock the associated cables in lengths from 1 to 10 metres.



SWITCHES

The unit is able to house a 15A Thermal Overload Switch as well as other standard red and green switches depending on the client's request.

AESTHETICS

The unit has a wide variety of colours and finishes for both metal and plastic components that are sure to complement any environment.

MOUNTING

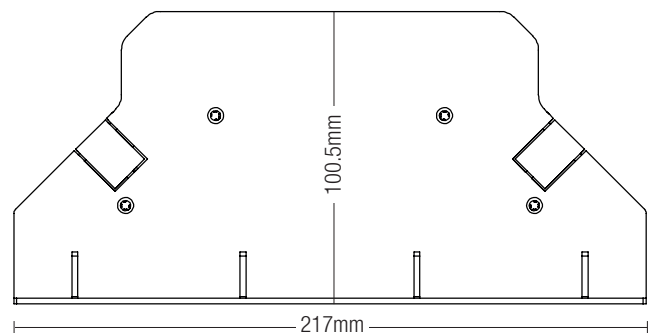
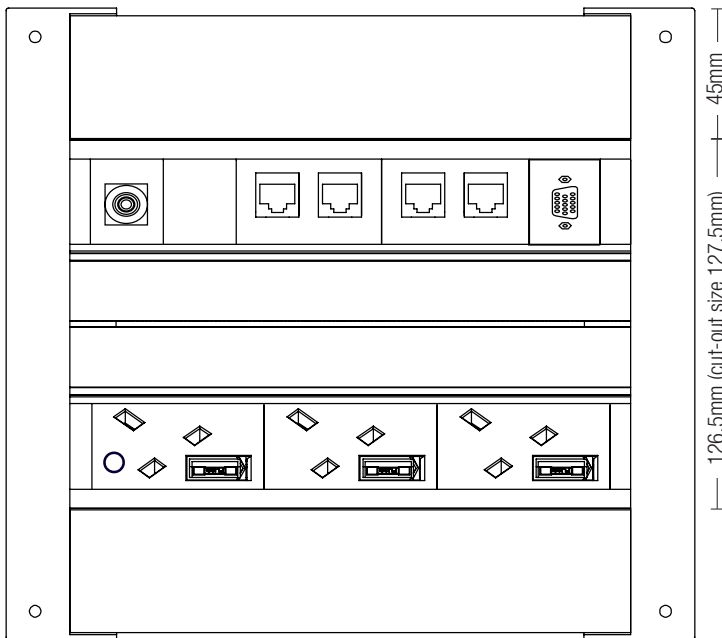
Simply align the V-Dock below a pre-cut aperture and fix in position with suitable M4 screws (screws not included). In the event that the unit surpasses 250mm, additional mounting holes will be added along the length of the aluminium for extra support.

CABLE EXIT

The V-Dock allows for cables to exit the unit either horizontally or at a 45° angle on any preselected corner.

BASE OPTIONS

Choose between arubber flap base, bristle base or solid base for the unit.



UNLIMITED CONFIGURATIONS

The possibilities are nearly endless with a wide variety of power outlets, data/voice connections, switches and protection devices in almost any configuration.

ELECTRICAL

Operating Voltage: 220V-250V @ 50 Hz, 110V-125V AC @ 60 Hz. Current: 15A (20A – upgraded wiring), Max Power: 1800W @ 110V-125V AC, 3000W @ 220V - 250V AC

DIMENSIONS

Cut-out width: 126.5mm: 55mm (approx. 5")
Cut-out length: Depending on Configuration
Total height: 100.5mm (approx. 4")