

ONE-TOUCH

General Information

7

DIMENSIONS:

Cut-out Width: 115mm (Approx. 4-1/2 in.)
Cut-out Length: Depending on configuration
Height (Open): 107mm (Approx. 4-1/5 in.)

WORK SURFACE THICKNESS:

10mm - 50mm (Approx. 2/5 in. - 2 in.)

ELECTRICAL:

Operating Voltage: 220V - 250V @ 50 Hz
110V - 125V AC @ 60 Hz
Current: 15A
Max Power: 1800W @ 110V - 125V AC
3000W @ 220V - 250V AC

MAINTENANCE AND CARE:

Ensure unit is disconnected prior to cleaning.
Clean the unit with a damp cloth and dry immediately.
Do not use harsh chemical solvents.

Power at the touch of your fingertips with the One-Touch's LED touch sensors that activate the German-engineered motor and rotate the unit to reveal the power outlets. Turn your boardroom into a state-of-the-art meeting place with the sleek One-Touch!



©2016 Copyright Powerlogic SA (Pty) Ltd. All Rights Reserved. Due to continual product improvements and upgrades, Power Logic reserves the right to amend and change products as it sees fit. As such, images of products are for indicative purposes only and actual products may vary from those depicted and certain options may be unavailable. Always check with your distributor or with Power Logic regarding availability of the product of your choice.

FEATURES

OBSTRUCTION DETECTION

In the event of an obstruction, the unit will immediately stop and reverse back in the previous position.

POWER OUTLETS

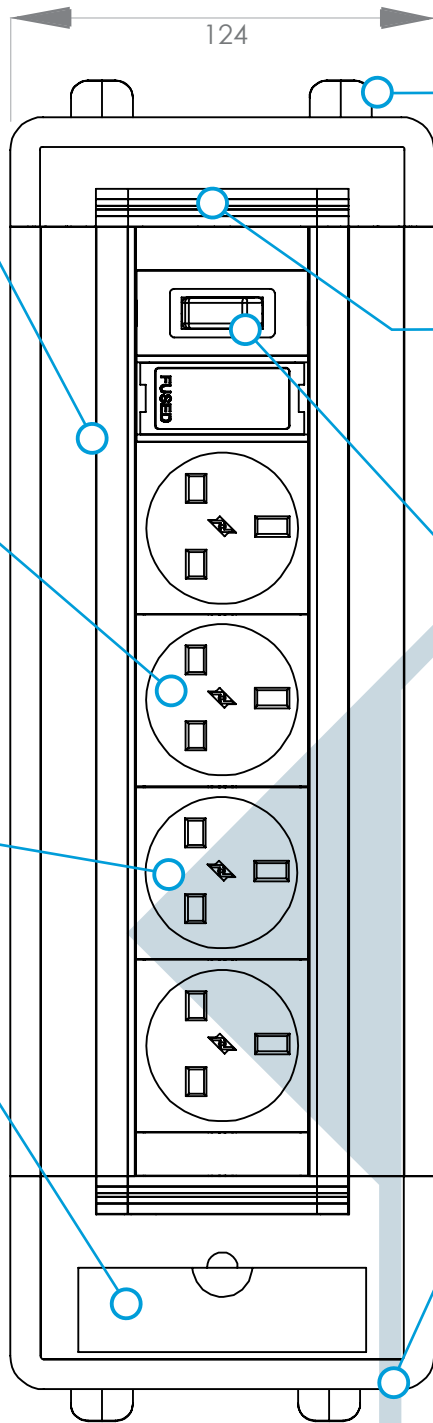
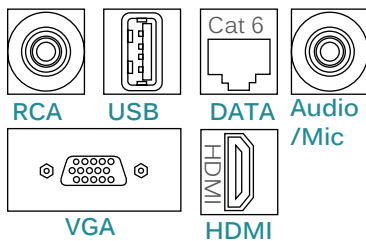
Choose from 24 international power outlets available in black, grey and white. Optional colours also available. Contact your closest distributor or visit www.powerlogic.net for more information.

POWER OUTLET ORIENTATION

Power outlets are pre-fitted at any angle in 45° increments. See reverse for details.

COMMS MODULE

The comms module houses two peripherals and can be fitted on one or both ends. Configurations are limited.



TOP VIEW

EASY INSTALLATION

Four ratchet clips quickly and easily slide on to fasten the unit in its mounting cut-out.

TOUCH SENSOR

There are pulsating light strips (one red and one green) on either side of the unit. Lightly touch the light strip to open/close the unit.

SWITCHES

The unit is able to house a 15A Thermal Overload Switch as well as other standard red or green switches.

RAISED INTERFACE

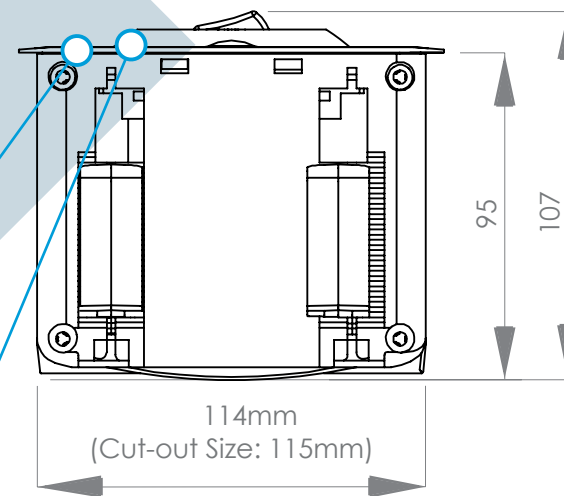
The unit is raised above the mounted surface to reduce spilt fluid ingress when in the open position.

FLUSH MOUNTING

When closed, the unit sits almost flush with the work surface to minimize obstruction.

AESTHETICS

The unit has a wide variety of colours and finishes, for both metal and plastic components, that are sure to complement any environment. Contact your distributor for detailed options.



SIDE VIEW