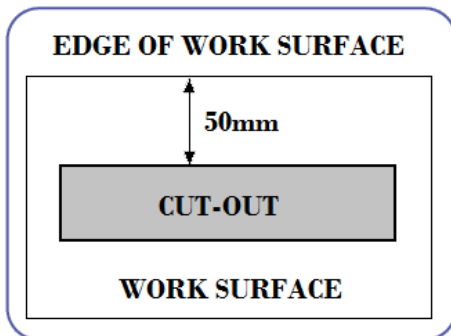


ROTADOCK

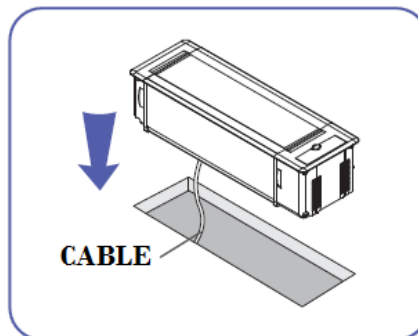
INSTALLATION & OPERATION

INSTALLATION



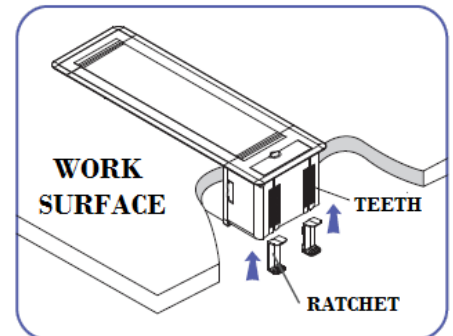
STEP 1

Measure the Rotadock Length (determined by configuration) and make a cut-out in a predetermined location with the measured length and the standard width on 115mm. Ensure there is sufficient clearance: 50mm from the edge of the cut-out to the edge of the mounted surface and at least 100mm below the work surface. Ensure that the cable has enough slack in both open and closed positions.



STEP 2

Lower the unit cable first into the cut-out. Do not connect the unit to power until the installation is complete.



STEP 3

Line-up the ratchet with the side of the Rotadock unit so that the teeth on both the ratchet and the unit are facing each other. Slide the ratchet on from below.

If the ratchet is correctly engaged, the teeth will make a clicking sound as they slide over each other. If not, pull back on the ratchet clip until the teeth disengage and the ratchet can be slid off with ease.

DIMENSIONS:

Width: 115mm (approx. 4 - 1/2 in.)
 Length: Depending on configuration
 Height (Open): 107mm (Aprox. 4 - 1/5 in.)

WORK SURFACE THICKNESS:

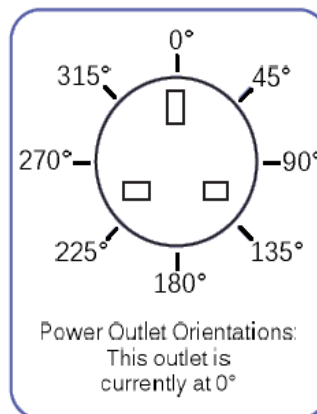
10mm - 50mm (Aprox. 2/5 in. - 2 in.)

ELECTRICAL:

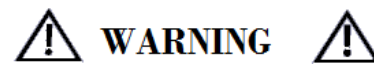
Operating Voltage: 220V - 250V @ 50Hz
 110V - 125V AC @ 60Hz
 Current: 15A
 Max Power: 1800W @ 110V - 125V AC
 3000W @ 220V - 250V AC

MAINTENANCE AND CARE:

- o Ensure unit is disconnected prior to cleaning.
- o Clean the unit with a damp cloth and dry immediately.
- o Do not use harsh chemical solvents



PLEASE NOTE:
 All Products carry a 12 month limited warranty which excludes normal wear and tear and product abuse. In the event of product tampering, the warranty will be void



- o For indoor use only
- o If any malfunction occurs, do not attempt to repair
- o Return product to manufacturer for repair
- o Do not insert foreign objects into power outlets
- o For counter top mounting
- o For other options, contact your distributor