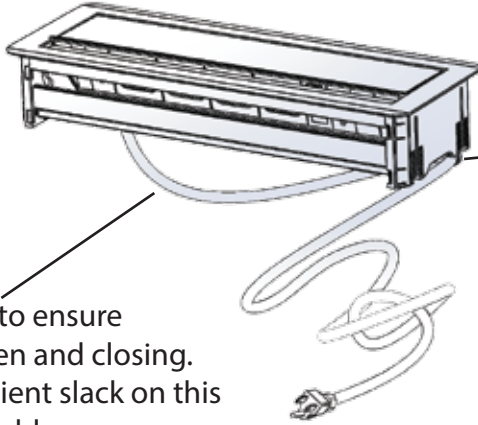
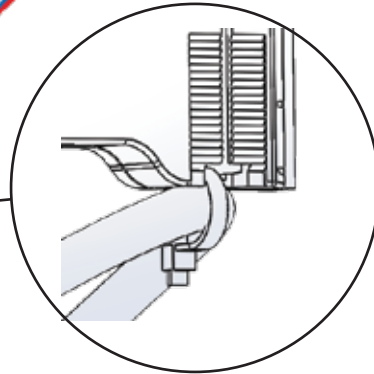




1



Cable loop to ensure smooth open and closing. Allow sufficient slack on this section of cable

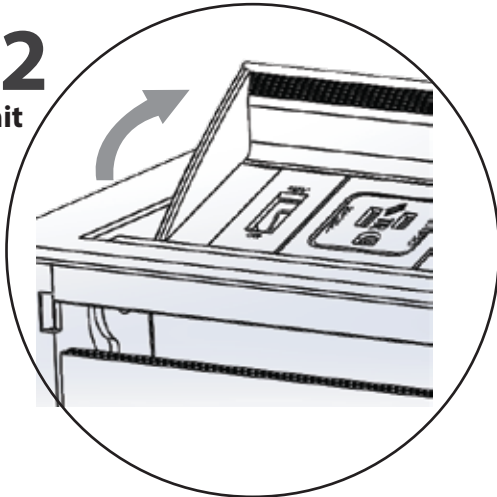


Don't remove the cable tie

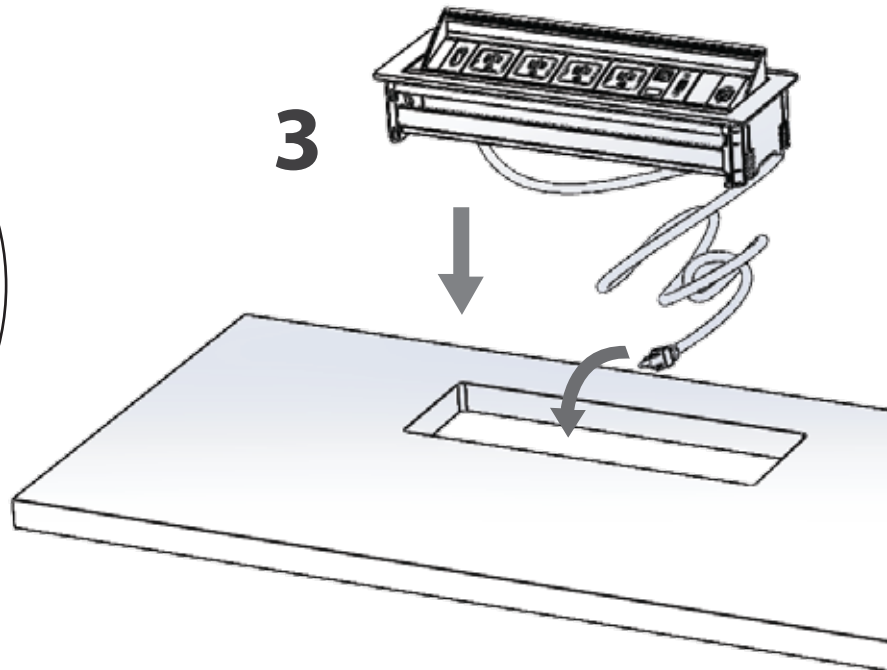
Tying the cable to the chassis prevents the unit from opening unexpectedly

2

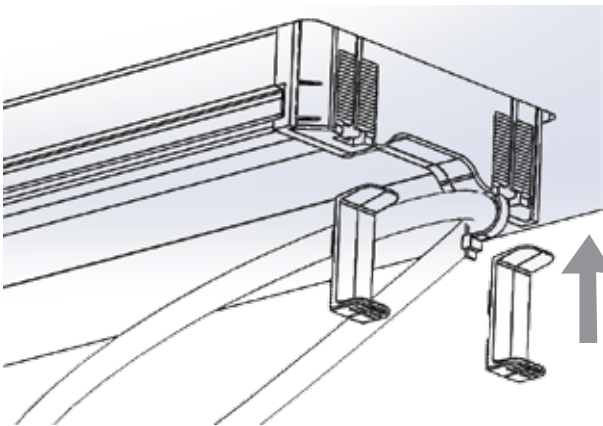
Open the unit



3



4



5

