

PDO MK2

General Information

The PDO Mk2 - the ideal touch operated solution for kitchens, workshops, TV stands, office desks and so much more!

DIMENSIONS:

Total Height: 565.3mm (Approx 22-1/4 in.)
Max Width: 130.5 (Approx. 5-1/10 in.)
Mounting Hole: 95mm (Approx. 3-7/10 in.)

WORK SURFACE THICKNESS:

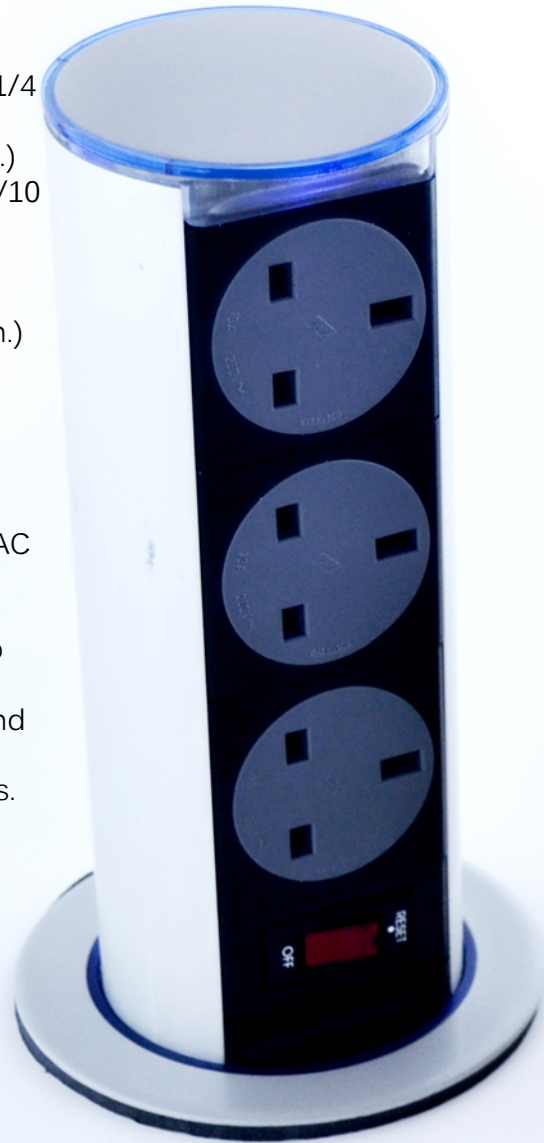
10mm - 50mm (Approx. 2/5 in. - 2 in.)

ELECTRICAL:

Operating Voltage: 110V - 250V @ 50/60 Hz
Current: 15A
Max Power: 3000W @ 220V - 250V AC

MAINTENANCE AND CARE:

Ensure unit is disconnected prior to cleaning.
Clean the unit with a damp cloth and dry immediately.
Do not use harsh chemical solvents.



©2016 Copyright Powerlogic SA (Pty) Ltd. All Rights Reserved. Due to continual product improvements and upgrades, Power Logic reserves the right to amend and change products as it sees fit. As such, images of products are for indicative purposes only and actual products may vary from those depicted and certain options may be unavailable. Always check with your distributor or with Power Logic regarding availability of the product of your choice.

VARIABLE POWER OUTLET ANGLE

A power outlet can be rotated at any angle in 45° increments.

POWER OUTLETS

Choose between 24 international power outlets. Visit our website for options: www.powerlogic.net

AESTHETICS

The power outlets are available in black, grey or white with additional colours available on special request. Contact your distributor for more details.

15A THERMAL OVERLOAD SWITCH

Protects the unit and other products connected to it from getting damaged in the case of a power surge.

LOCKING COLLAR RING

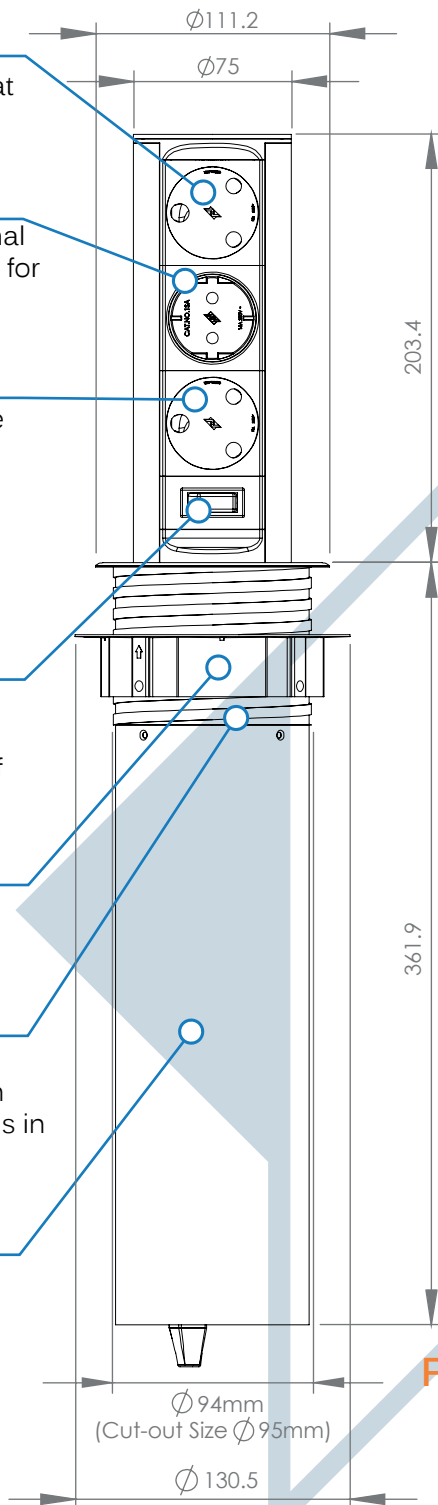
A big and robust locking collar for quick and easy installation.

LARGE BOLT THREAD

The desk collar has been engineered for strength with an easy to screw thread which aids in quick and easy installation.

AUTOMATIC EXTENSION

When the LED-lit centre ring of the unit is pressed down it raises itself from the work surface with a gas strut, providing access to power outlets.

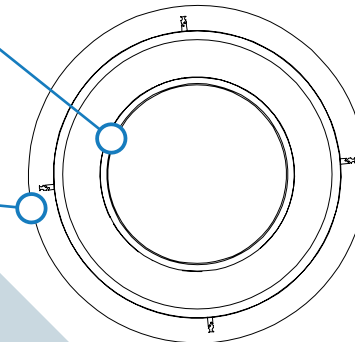


ILLUMINATED INDICATOR RING

An illuminated blue ring indicates that the unit has power.

ULTRA SLIM

When closed, the unit is mounted nearly flush with the work surface.



TOP VIEW

FRONT VIEW

FEATURES

