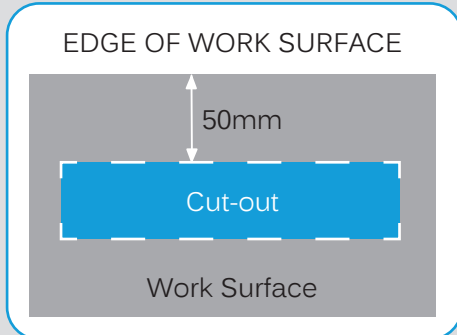


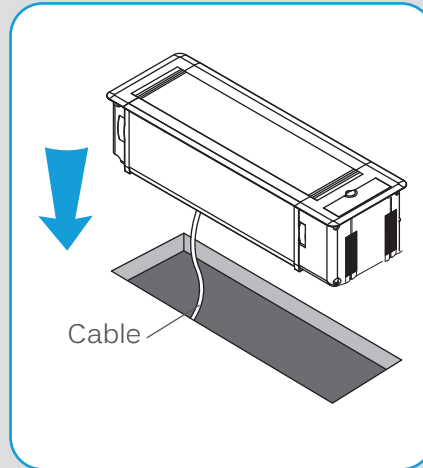
ONE-TOUCH

INSTALLATION



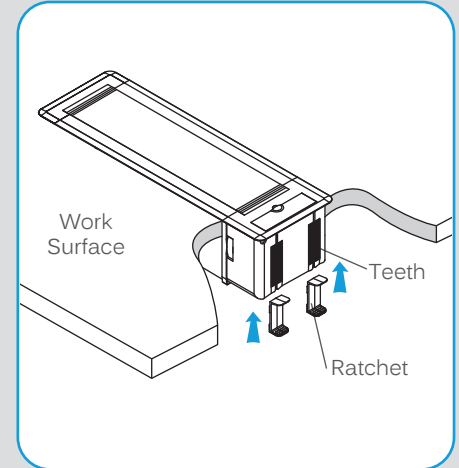
STEP 1

Measure the One-Touch length (determined by configuration) and make a cut-out in a predetermined location with the measured length and the standard width of 115mm. Ensure there is sufficient clearance; 50mm from the edge of cut-out to the edge of the mounted surface and at least 100mm below the work surface. Ensure that the cable has enough slack in both open and closed positions.



STEP 2

Lower the unit into the cut-out, cable first. Please note: Do not connect the unit to power until the installation is complete.



STEP 3

Slide both the ratchet clips on opposite sides of the unit from below. Be sure to engage teeth correctly to ensure a properly fastened unit.

To remove the ratchets, pull the base of the ratchet clip away from the unit to disengage the teeth and slide the clip off.

DIMENSIONS:

Cut-out Width: 115mm (Approx. 4-1/2 in.)
Cut-out Length: Depending on configuration
Height (Open): 107mm (Approx. 4-1/5 in.)

WORK SURFACE THICKNESS:

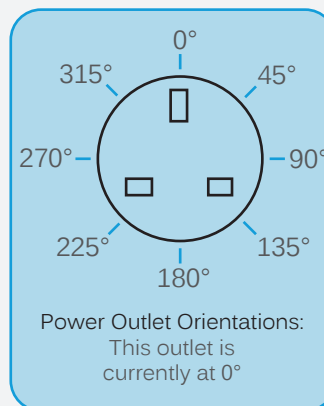
10mm - 50mm (Approx. 2/5 in. - 2 in.)

ELECTRICAL:

Operating Voltage: 220V - 250V @ 50 Hz
110V - 125V AC @ 60 Hz
Current: 15A
Max Power: 1800W @ 110V - 125V AC
3000W @ 220V - 250V AC

MAINTENANCE AND CARE:

- Ensure unit is disconnected prior to cleaning.
- Clean the unit with a damp cloth and dry immediately.
- Do not use harsh chemical solvents.



PLEASE NOTE:
All products carry a 12 month limited warranty which excludes normal wear and tear and product abuse. The warranty will be void in the event of product tampering.

⚠ WARNING ⚠

- For indoor use only
- If any malfunction occurs, do not attempt to repair
- Return product to manufacturer for repair
- Do not insert foreign objects into power outlets
- For counter top mounting
- For other options, contact your distributor