

SLIMLINE RANGE

General Information

22

Big, bulky power outlets are a thing of the past. The Slimline range is the most compact Power Logic product range with five sleek body types that simplify and stylize areas used in while taking up the minimal amount of space.



DIMENSIONS:

Length: Depending on Configuration
Width - Omega: 64mm (Approx. 2-1/2 in.)
- Orion: 52mm (Approx. 2 in.)
- Protea: 67mm (Approx. 2-3/5 in.)
- Iris: 54mm (Approx. 2-1/10 in.)
- Tulip: 52mm (Approx. 2 in.)
Height: 42mm (Approx. 1-7/10 in.)

WORK SURFACE THICKNESS:

15mm - 35mm (Approx. 3/5 in. - 1-2/5 in.)

ELECTRICAL:

Operating Voltage: 220V - 250V @ 50 Hz
110V - 125V AC @ 60 Hz
Current: 15A
Max Power: 1800W @ 110V - 125V AC
3000W @ 220V - 250V AC

MAINTENANCE AND CARE:

Ensure unit is disconnected prior to cleaning.
Clean the unit with a damp cloth and dry immediately.
Do not use harsh chemical solvents.



90° swivel



©2016 Copyright Powerlogic SA (Pty) Ltd. All Rights Reserved. Due to continual product improvements and upgrades, Power Logic reserves the right to amend and change products as it sees fit. As such, images of products are for indicative purposes only and actual products may vary from those depicted and certain options may be unavailable. Always check with your distributor or with Power Logic regarding availability of the product of your choice.



FEATURES

POWER OPTIONS

The unit has Hybrid Power capabilities (power & data) and can house one or more circuits in a single unit.

CABLE EXIT

This range features a swiveling cable exit with a 90° range. It extends the cable life by relieving stress where the cable exits the unit through the specially designed cable grip (See reverse).

AESTHETICS

Wide variety of colours and finishes for both metal and plastic components complement any environment. Contact your distributor for detailed options.

SWITCHES

The unit is able to house a 15A Thermal Overload Switch as well as other standard red and green switches.

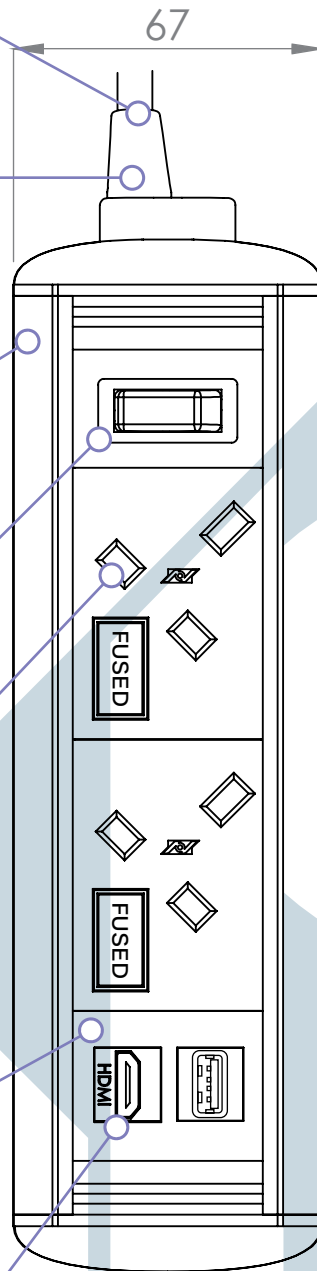
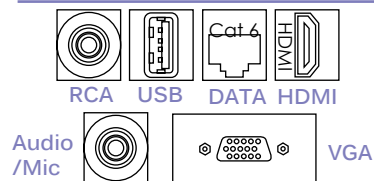
POWER OUTLETS

The Slimline range features the Australian, Brazilian, SA, Schuko, Swiss, US and UK power outlets with more international outlets soon to come. Available in black, grey and white. Contact your distributor or visit www.powerlogic.net for more information.

VARIOUS CONFIGURATIONS

Units can be assembled in almost any configuration with a wide variety of combinations of power outlets, peripherals, colours and finishes.

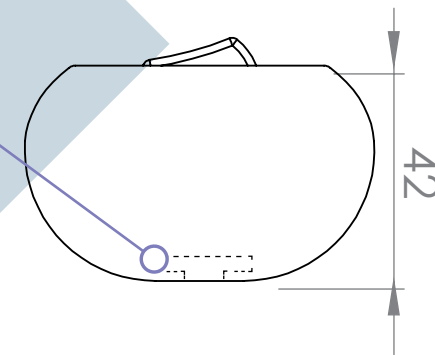
PERIPHERALS



TOP VIEW

MOUNTING OPTIONS

All Slimline units have a T-channel running along the bottom of the extrusion used for prefitted desk clamps if requested. Clamps angle the unit at 45° to ensure the most ergonomic position. (See reverse).



SIDE VIEW