

# PDO MK3

## General Information

13

### DIMENSIONS:

Total Height: 372mm (Approx. 14-3/5 in.)

Max Width: 102mm (Approx. 4 in.)

Mounting Hole: 93mm (Approx. 3-3/5 in.)

### WORK SURFACE THICKNESS:

10mm - 50mm (Approx. 2/5 in. - 2 in.)

### ELECTRICAL (POWER OUTLETS):

Operating Voltage: 220V - 250V AC @ 50 Hz

Current: 15A (3-pin outlet)

Max Power: 3000W @ 220V - 250V AC

### ELECTRICAL (SMART CHARGER):

Operating Voltage: 5V DC

Current: 2.1A (both USB ports simultaneously)

### MAINTENANCE AND CARE:

Ensure unit is disconnected prior to cleaning.

Clean the unit with a damp cloth and dry immediately.

Do not use harsh chemical solvents.

The PDO Mk3 - the perfect solution for  
kitchens, workshops, TV stands, office desks  
and so much more!



©2016 Copyright Powerlogic SA (Pty) Ltd. All Rights Reserved. Due to continual product improvements and upgrades, Power Logic reserves the right to amend and change products as it sees fit. As such, images of products are for indicative purposes only and actual products may vary from those depicted and certain options may be unavailable. Always check with your distributor or with Power Logic regarding availability of the product of your choice.

### 15A THERMAL OVERLOAD SWITCH

Protects the unit from power overloads.

### POWER OUTLETS

Choose between 24 international power outlets available in black, grey and white.

### POWER OUTLET ORIENTATION

Power outlets are oriented to facilitate the exit of the cables through the handle/cable flap.

### LOCK RELEASE BUTTON

Button keeps unit locked in the raised position. Once pressed, the lock releases allowing the unit to retract back into the work surface.

### LOCKING COLLAR RING

A big and robust locking collar for quick and easy installation.

### BELOW SURFACE POWER

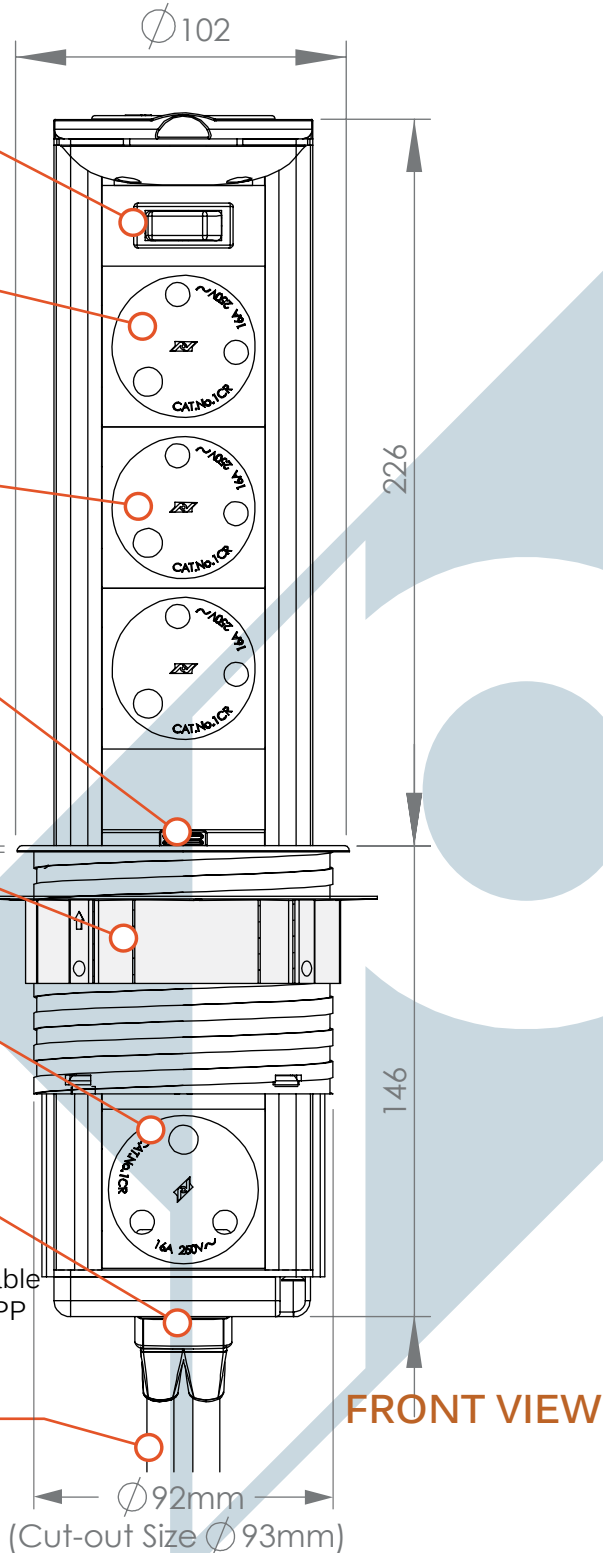
One power outlet is located under the work surface for products that need to be permanently connected.

### SWIVELLING CABLE OR CONNECTOR EXIT

Allows for a 90 degree range of orientation, extending cable life by relieving cable stress, and allowing the cable to exit in the best suited position. Also available with 3PP connector.

### POWER OPTIONS

The unit has Hybrid Power capabilities (power & data) and is also able to house one or more circuits in a single unit (cable exit ve sion only).

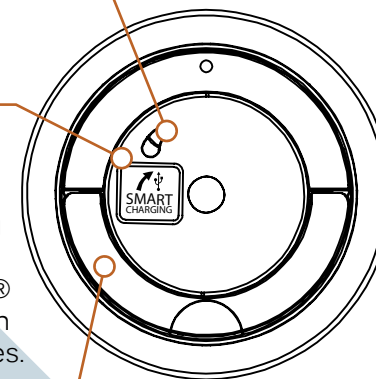


### SWIVEL CAP

The spring-loaded swivel cap covers a Smart Charging Dual USB port on top of the unit.

### SMART CHARGING USB

A smart, dual port USB charger can detect connected Apple®, Android® and Windows® mobile devices whilst providing fast charging. It supports sleep mode charging for most Apple® products and is compatible with USB 2.0 and 3.0 portable devices. A maximum, overall current of 2.1A is available for the dual USB ports.\*



TOP VIEW

### HANDLE & CABLE FLAP

A fold-flat chromed handle for raising the unit out of the work surface doubles as a cable exit from which cables can extend when plugs tops are left in the power outlets of the stowed away unit.

